



features

- flashable LED back light
- white
- diffuse
- 24 V
- cable length: 1 m
- dimensions: 95 mm × 95 mm × 15 mm housing
- connector and pin assignment suitable for *VeriSens*® XC series

general data

manufacturer Falcon Illumination MV GmbH & Co.KG

illumination data

color white
illumination characteristic diffuse
illumination mode flashable

mechanical data

construction design back light
dimensions 95 mm × 95 mm
height 15 mm
dimensions 85 mm × 77 mm
luminous area
material of cover glass acrylic
cable length [m] 1 m
weight ≤ 140 g
material aluminum

electrical data

number of poles 4
illumination connector M8 connector
current ≤ 0,48 A
current at flash mode ≤ 0,75 A
voltage at flash mode ≤ 48 V
duty cycle 0-10%
maximum flash duration 10 ms

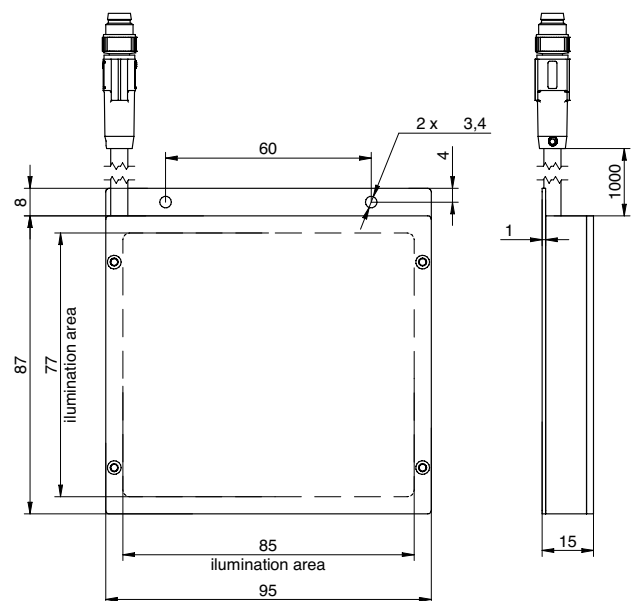
environmental conditions

operating temperature 0 ... +35 °C
humidity 20% - 85%

environmental conditions

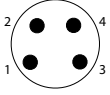
protection class IP 50

dimension drawing



Article number: 11086538

pin assignment



M8	signal
1:	LED +24V (pulsing 24-48 V)
2:	N.C.
3:	LED - (GND)
4:	N.C.