



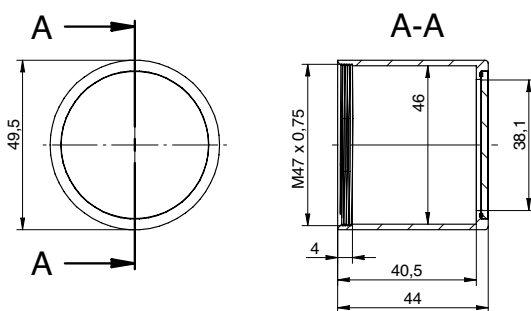
#### features

- hard anodized lens protection with laminated safety glass SCHOTT Xensation®
- optional tube extension with Tube Module 6mm (11185372) or Tube Module (11185371), length 12 mm. Use of several Tube Modules possible.
- thread: M47
- length 44 mm

#### mechanical data

external diameter	49,5 mm
material of cover glass	laminated safety glass
thread	M47 × 0,75
Ø cover glass	38 mm
length of tube	44 mm
material	aluminum, hard-anodized
sealing	EPDM Gomastit 400

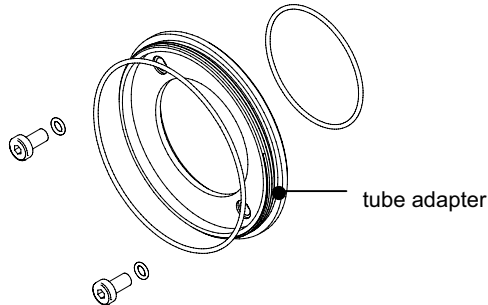
#### dimension drawing



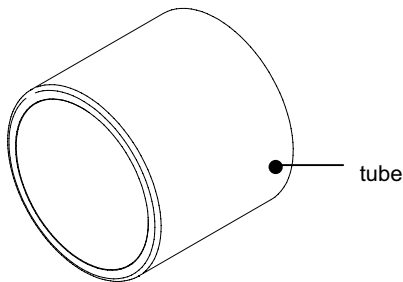
Article number: 11195425

**schematic diagram**

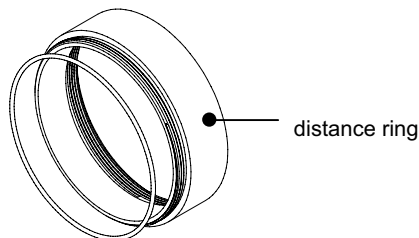
Optional accessories for protection class IP65/67:



- tube adapter
- Ø 49,5 mm, hard-anodized, incl. sealing and screws (CX.I 11185373)
  - Ø 65 mm, hard-anodized, incl. sealing and screws (CX.I 11185377; VLXT 11193125)



- tube
- Ø 49,5 mm, length 44 mm, hard-anodized, cover glass PMMA (11185370)
  - Ø 65 mm, length 58 mm, hard-anodized, cover glass PMMA (11185374)
  - Ø 49,5 mm, length 44 mm, hard-anodized, tempered laminated safety glass (11195425)
  - Ø 65 mm, length 58 mm, hard-anodized, tempered laminated safety glass (11195426)



- distance ring
- Ø 49,5 mm, length 12 mm, hard-anodized, incl. sealing (11185371)
  - Ø 49,5 mm, length 6 mm, hard-anodized, incl. sealing (11185372)
  - Ø 65 mm, length 12 mm, hard-anodized, incl. sealing (11185375)
  - Ø 65 mm, length 6 mm, hard-anodized, incl. sealing (11185376)