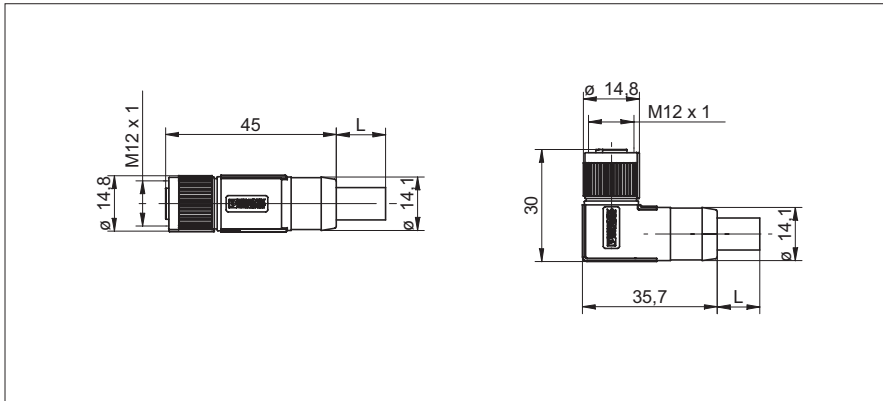


Connector M12 x 1 with attached PUR/PVC-cable, shielded

dimension drawing



- 12-wire, shielded
- shield connected with cap-nut
- PUR/PVC
- self-locking cap nut

General data

Nominal current I_N	1,5 A
Nominal voltage U_N	30 V
Number of positions	12
Volume resistance	$\leq 5 \text{ m}\Omega$
Insulation resistance	$\geq 100 \text{ M}\Omega$
Length of cable	see listing
Stripping length of the free conductor end	35 mm
Ambient temperature (operation)	-25 ... 90 °C

General characteristics

Coding	A-standard
Surge voltage category	II
Pollution degree	3
Degree of protection	IP65/IP68/IP69K
Contact material	CuSn
Contact surface material	Ni/Au
Contact carrier material	PA 66
Material of grip body	TPU, hardly inflammable, self-extinguishing
Material, knurls	Zinc die-cast, (nickel-plated)
Sealing material	NBR
Status display	no

Conductor data

Cable type	Black PUR/PVC twisted pair
Cable abbreviation	35 T
Conductor cross section	0,14 mm ²
AWG signal line	26
Conductor structure, signal line	18x0,10 mm
Core diameter including insulation	1,0 mm \pm 0,05 mm
External cable diameter	8,5 mm
Wire colors	White-brown, green-yellow, gray-pink, blue-red, black-violet, gray/pink-red/blue
External sheath, color	Black RAL 9005

type	Mat.-No.	length
straight connectors		
ESG 34JP0200G	11048452	2 m
ESG 34JP0500G	11043780	5 m
ESG 34JP1000G	11048455	10 m
angular connectors		
ESW 33JP0200G	11048456	2 m
ESW 33JP0500G	11043785	5 m
ESW 33JP1000G	11048458	10 m
other lengths on request		

pin assignment

	1 = BN
	2 = BU
	3 = WH
	4 = GN
	5 = PK
	6 = YE
	7 = BK
	8 = GY
	9 = RD
	10 = VT
	11 = GYPK
	12 = RDBU

Connector M12 x 1 with attached PUR/PVC-cable, shielded

Conductor data (cont.)	
Conductor resistance	142 Ω/km
Overall twist	Six pairs around the filler to the core
Shielding	Tinned copper braided shield
Optical shield covering	85 %
Outer sheath, material	PUR
Material, inner sheath	PVC
Material conductor insulation	PVC
Conductor material	Tin-plated Cu litz wires
Number of bending cycles	2'000'000
Bending radius	85 mm
Traversing path	10 m
Traversing rate	3 m/s
Acceleration	10 m/s ²
Ambient temperature (operation)	-40 ... 80 °C (cable, fixed installation) -5 ... 80 °C (cable, flexible installation)
Flame resistance	DIN VDE 0472 part 804, test type B
Resistance to oil	DIN VDE 0472 Part 803, test type B
Other resistance	Hydrolysis and microbe resistant as per VDE 0282 section 10