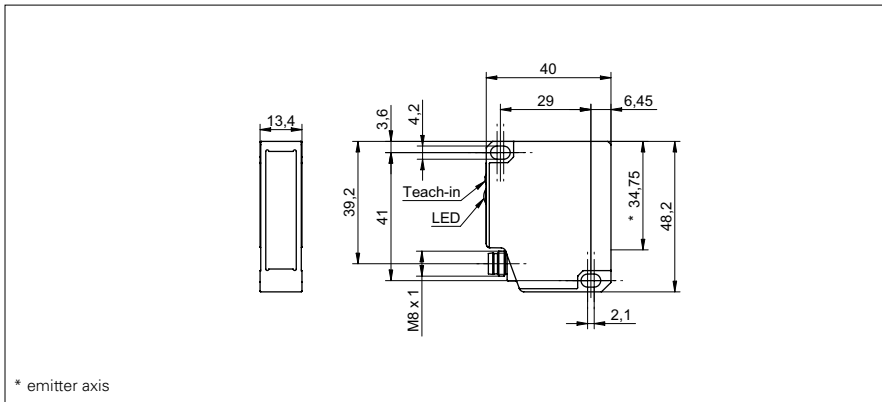


Distance sensors

OADM 13I7760/S35A

dimension drawing



general data

measuring distance Sd	100 ... 200 mm
adjustment	Teach-in: button / external
Teach-in range min.	> 5 mm
power on indication	LED green
soiled lens indicator	LED red
resolution	0,039 ... 0,15 mm
linearity error	± 0,123 ... ± 0,457 mm
light source	pulsed red laser diode
wave length	650 nm
laser class	1
beam type	line
interference suppression	< 30 ms
object reflectivity	> 2 %
temperature drift	< 0,07 % Sde/K

electrical data

response time / release time	< 2 ms
voltage supply range +Vs	12 ... 28 VDC
current consumption max. (no load)	100 mA
output circuit	analog
output signal	4 ... 20 mA
load resistance	< (+Vs - 6 V) / 0,02 A
short circuit protection	yes
reverse polarity protection	yes, Vs to GND

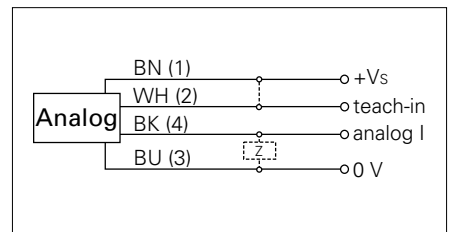
mechanical data

width / diameter	13,4 mm
height / length	48,2 mm
depth	40 mm
type	rectangular
housing material	aluminum
front (optics)	glass
connection types	connector M8 4 pin

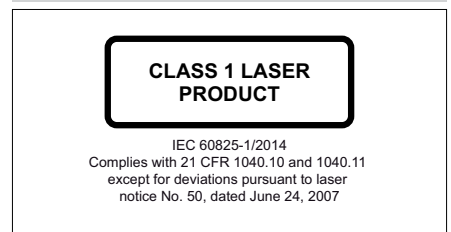
photo



connection diagram



laser warning



Distance sensors**OADM 13I7760/S35A****ambient conditions**

ambient light immunity	< 100 kLux
operating temperature	0 ... +50 °C
protection class	IP 67