



Quick Start Guide  
LXC cameras (Camera Link®)

Latest software version and technical documentation are available at:  
[vt.baumer.com](http://vt.baumer.com)

**Product Specification**

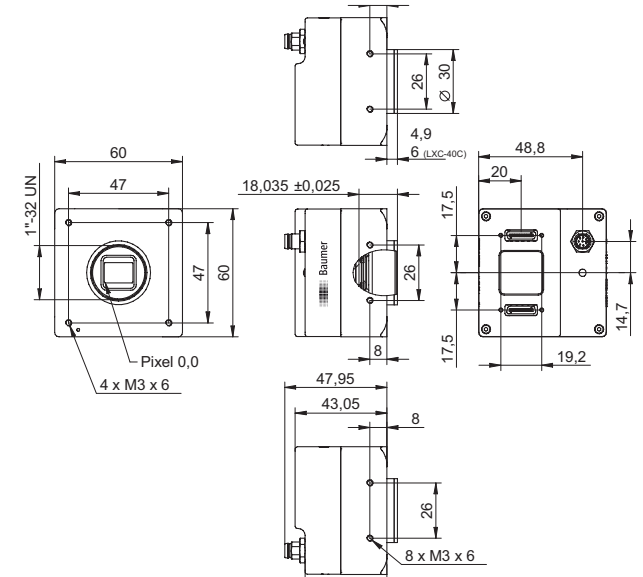
**LXC cameras – Extremely high resolution and speed**

- Camera Link® progressive scan CMOS camera
- Excellent image quality
- Global shutter architecture for minimized motion blur
- Binning and true partial scan function (ROI) for increased frame rates
- High Dynamic Range (HDR) image acquisition
- External synchronization via industrial compliant process interface (trigger / flash)
- Power over Camera Link® (PoCL) support
- Two standard 26 pin Mini-Camera Link® connectors
- Support for Camera Link® Base, Medium, Full and EightyBit configurations
- Camera parameter programmable via GenCP protocol

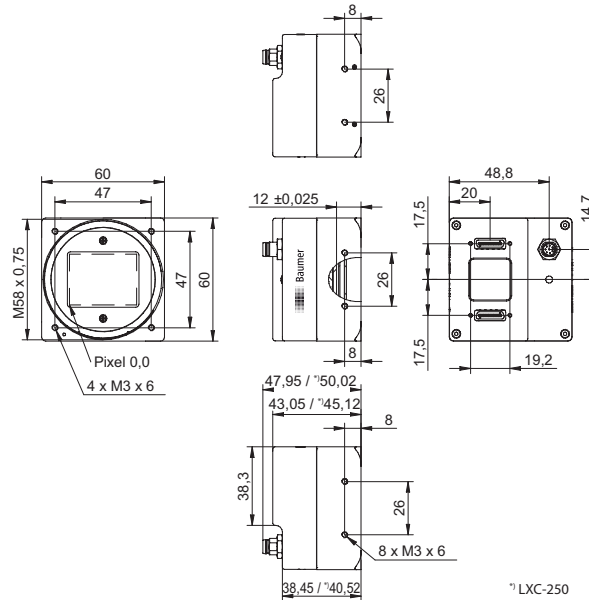
**Notice**

Further technical details are available in the respective data sheet.

**Dimensions Camera with C-Mount**



**Dimensions Camera with M58-Mount**



**Lens Adapter for M58-Mount**

- Adapter M58 / F-mount (Art. No.: 11117852)
- Adapter M58 / M42x1-mount (26.8mm) (Art. No.: 11127232)
- Adapter M58 / M42x1-mount (45.5 mm) (Art. No.: 11137781)

**Notice**

suitable for Zeiss (e.g. Distagon T\* 2/25 Z-M42-I, Planar T\* 1.4/50 Z-M42-I, Makro-Planar T\* 2/50 Z-M42-I) and KOWA M42 lenses (e.g. LM28LF P-Mount, LM35LF P-Mount)

- Adapter M58 / C-mount (Art. No.: 11115198)

**Conformity / Safety**

Conformity:  
CE, RoHS



CE

We declare, under our sole responsibility, that the previously described Baumer LXC cameras conform with the directives of the CE.

**Safety Precautions**

- Protect the sensor from dirt and moisture.
- Never open the camera housing.
- Avoid camera contamination by foreign objects.

RoHS

All LXC cameras comply with the recommendation of the European Union concerning RoHS Rules.

**Environmental requirements:**

Storage temp.	-10 °C ... +70 °C
Operating temp.	+5 °C ... +50 °C
Housing temp.	max. +50 °C
Humidity	10 % ... 90 % Non-condensing

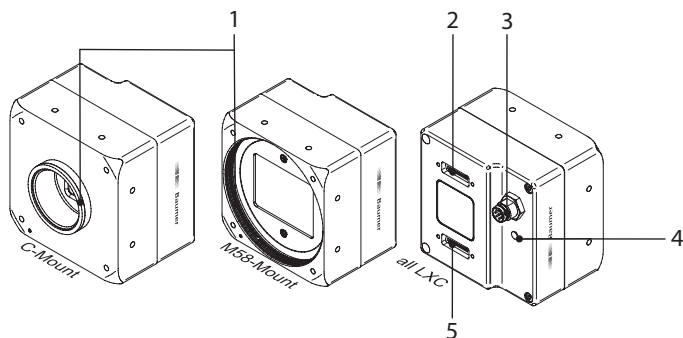
**Further Information**

For further information about our products, please visit [www.baumer.com](http://www.baumer.com)  
For technical issues, please contact our technical support:  
[support.cameras@baumer.com](mailto:support.cameras@baumer.com) · Phone +49 (0)3528 4386-845 · Fax +49 (0)3528 4386-86

© Baumer Optronic GmbH · Badstrasse 30 · DE-01454 Radeberg, Germany

Technical data has been fully checked, but accuracy of printed matter is not guaranteed. The information in this document is subject to change without notice.

## General Description



No.	Description	No.	Description
1	<b>C-Mount</b> C-mount only	4	Signaling-LED
	<b>M58-Mount</b> lens mount (M58), adapter for other lens mounts available		
2	Camera Link® socket (Base)	5	Camera Link® socket (Medium / Full / EightyBit)
3	Power Supply / Digital-IO		

## Camera Link® sockets

### Notice



The camera has two Camera Link® sockets. To differentiate between Camera Link® socket, please look at the label. You can not use the CL Medium / Full / EightyBit socket alone!

### Notice

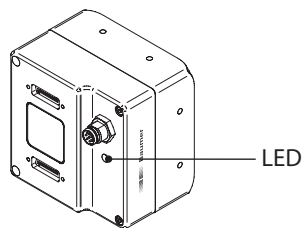
To use Power over Camera Link® (PoCL, 12V DC ± 20%), both Camera Link® sockets must be used.

### Camera Link® (Base)

### Camera Link® (Medium / Full / EightyBit)

Pin	Signal	Pin	Signal	Pin	Signal	Pin	Signal
1	GND	14	GND	1	GND	14	GND
2	X0-	15	X0+	2	Y0-	15	Y0+
3	X1-	16	X1+	3	Y1-	16	Y1+
4	X2-	17	X2+	4	Y2-	17	Y2+
5	XLCK-	18	XCLK+	5	YCLK-	18	YCLK+
6	X3-	19	X3+	6	Y3-	19	Y3+
7	SERTC+	20	SERTC-	7	100 Ω term.	20	100 Ω term.
8	SERTFG-	21	SERTFG+	8	Z0-	21	Z0+
9	CC1-	22	CC1+	9	Z1-	22	Z1+
10	CC2+	23	CC2-	10	Z2-	23	Z2+
11	CC3-	24	CC3+	11	ZCLK-	24	ZCLK+
12	CC4+	25	CC4-	12	Z3-	25	Z3+
13	GND	26	GND	13	GND	26	GND

## LED Signaling



	Signal	Meaning
LED	green on	Power on, link good
	green blinking	Power on, no link
	red on	Error / Overtemperature
	red blinking	Boot process or Warning (update in progress, don't switch off)
	yellow	Readout active

## Power Supply and Process Interface

### Caution



A power supply with electrical isolation is required for proper operation of the camera. Otherwise the device may be damaged!

### Power Supply / Digital-IO

#### M8 / 8 pins wire colors of the connecting cable



1	white	not in use
2	brown	Power VCC+
3	green	IN 1 (line 0)
4	yellow	IO GND
5	grey	IO Power VCC
6	pink	OUT 1 (line 1)
7	blue	Power GND
8	red	not in use

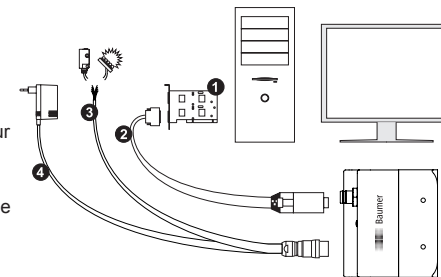
### Power Supply

Power VCC	12 VDC ... 24 VDC ± 20%
-----------	-------------------------

## Installation

### Installation using Camera Link® Base:

- Connect the camera using an appropriate cable to the framegrabber board on your PC using the lower sdr-26 jack on the camera side
- If required, connect a strobe to the connector
- Connect the camera to power supply

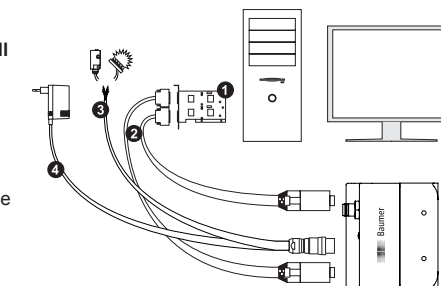


#### Installation sample

- 1 - Framegrabber board;
- 2 - CameraLink® cable;
- 3 - Process interface cable;
- 4 - Power cable

### Installation using Camera Link® Medium / Full / EightyBit:

- Connect the camera using two appropriate cables to the framegrabber board on your PC.
- If required, connect a strobe to the connector
- Connect the camera to power supply



#### Installation sample

- 1 - Framegrabber board;
- 2 - CameraLink® cable;
- 3 - Process interface cable;
- 4 - Power cable

## Heat Transmission

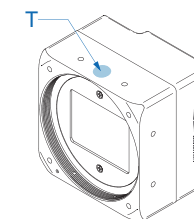
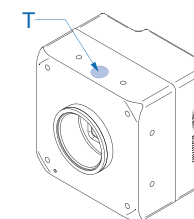
### Caution



Provide adequate dissipation of heat, to ensure that the temperature does not exceed +50 °C (+122 °F). The surface of the camera may be hot during operation and immediately after use. Be careful when handling the camera and avoid contact over a longer period.

As there are numerous possibilities for installation, Baumer do not specify a specific method for proper heat dissipation, but suggest the following principles:

- operate the cameras only in mounted condition
- mounting in combination with forced convection may provide proper heat dissipation



### Measure Point

### Maximal Temperature

T	+50 °C (122 °F)
---	-----------------