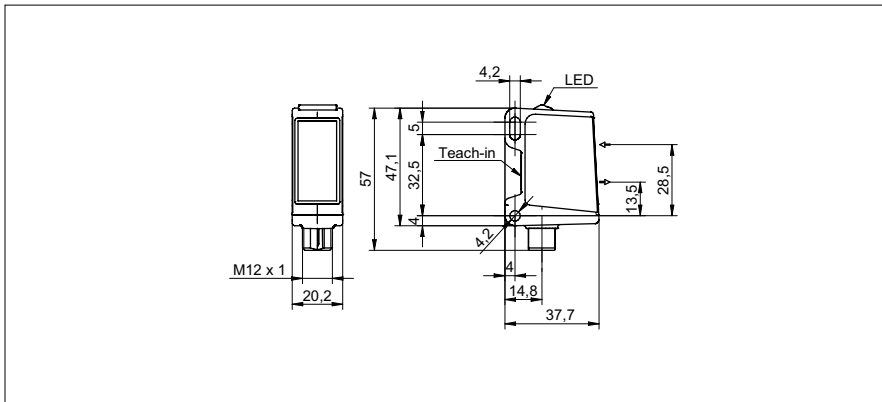


Diffuse sensors with background suppression

O500W.GP-11125092

dimension drawing



general data

type	background suppression
special type	Washdown design
light source	pulsed PinPoint LED
sensing distance Tw	60 ... 400 mm
sensing range Tb	30 ... 400 mm
power on indication	LED green
light indicator	LED yellow
sensing distance adjustment	Teach-in and IO-Link
wave length	630 nm
suppression of reciprocal influence	yes
alignment optical axis	< 1°
approvals/certificates	Ecolab

electrical data

response time / release time	< 0,49 ms
voltage supply range +Vs	10 ... 30 VDC
current consumption max. (no load)	40 mA
current consumption typ.	30 mA
voltage drop Vd	< 3 VDC
output function	light / dark operate
output circuit	push-pull
output current	< 100 mA
short circuit protection	yes
reverse polarity protection	yes

mechanical data

width / diameter	20,2 mm
height / length	47,2 mm
depth	37,7 mm
type	rectangular
housing material	stainless steel 1.4404 (V4A)
front (optics)	PMMA
connection types	connector M12 4 pin

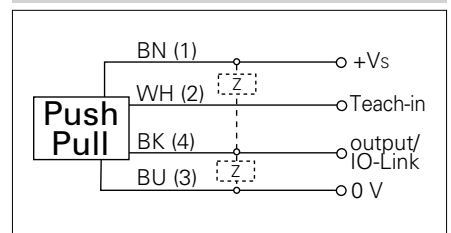
ambient conditions

operating temperature	-25 ... +60 °C
protection class	IP 68/69K & proTect+

photo



connection diagram



IO-Link

proTect+



- qTeach
- IO-Link: V1.1, filter functions, qTeach lock adjustable