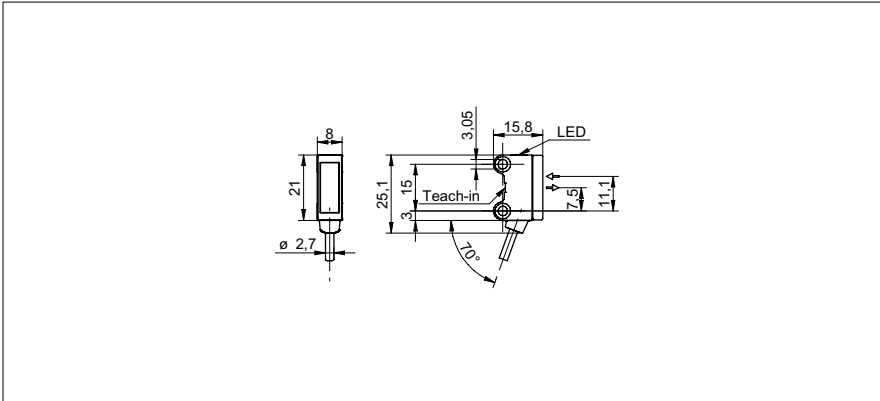


Retro-reflective sensors

O200.RP-11210550

dimension drawing



general data

type	retro-reflective sensor
light source	pulsed PinPoint LED
actual range Sb	3 m
nominal range Sn	4 m
smallest object recognizable typ.	4 mm (FTAR 013A000)
polarization filter	yes
alignment / soiled lens indicator	flashing output indicator
output indicator	LED yellow
power on indication	LED green
sensitivity adjustment	Teach-in and IO-Link
wave length	644 nm
suppression of reciprocal influence	yes
alignment optical axis	< 1,5°

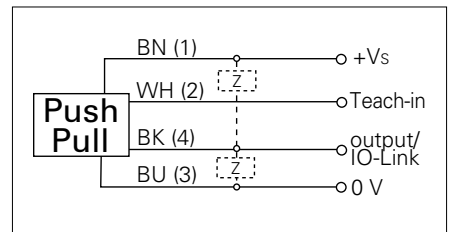
photo



electrical data

response time / release time	< 0,25 ms
voltage supply range +Vs	10 ... 30 VDC
current consumption max. (no load)	40 mA (@ 10 VDC)
current consumption typ.	16 mA (@ 24 VDC)
voltage drop Vd	< 2 VDC
output function	light / dark operate
output circuit	push-pull
output current	< 50 mA
short circuit protection	yes
reverse polarity protection	yes

connection diagram



mechanical data

width / diameter	8 mm
height / length	25,1 mm
depth	15,8 mm
type	rectangular
mechanical mounting	sleeve smooth (stainless steel)
housing material	plastic (ASA, PMMA)
front (optics)	PMMA
connection types	cable 4 pin, 2 m
cable characteristics	PVC / PVC 4 x 0,08 mm ²

IO-Link



• qTeach

Retro-reflective sensors

O200.RP-11210550

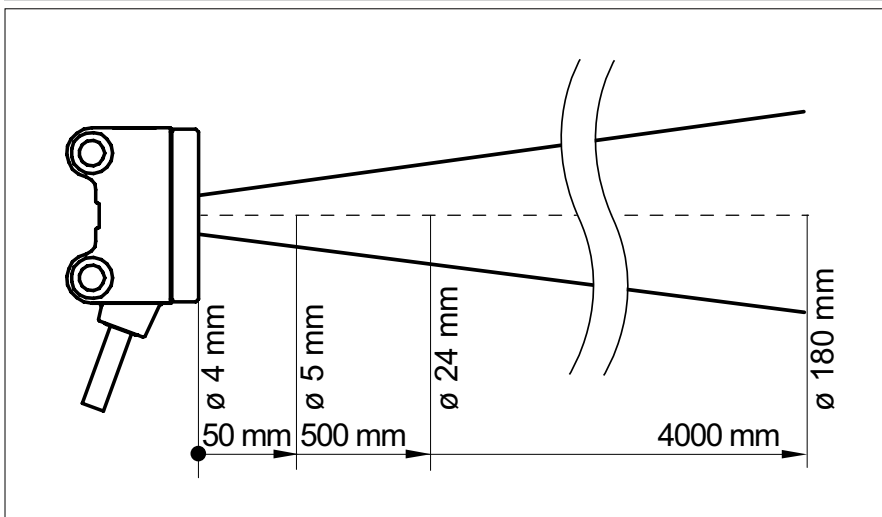
ambient conditions

operating temperature	-25 ... +50 °C
protection class	IP 67

communications interface

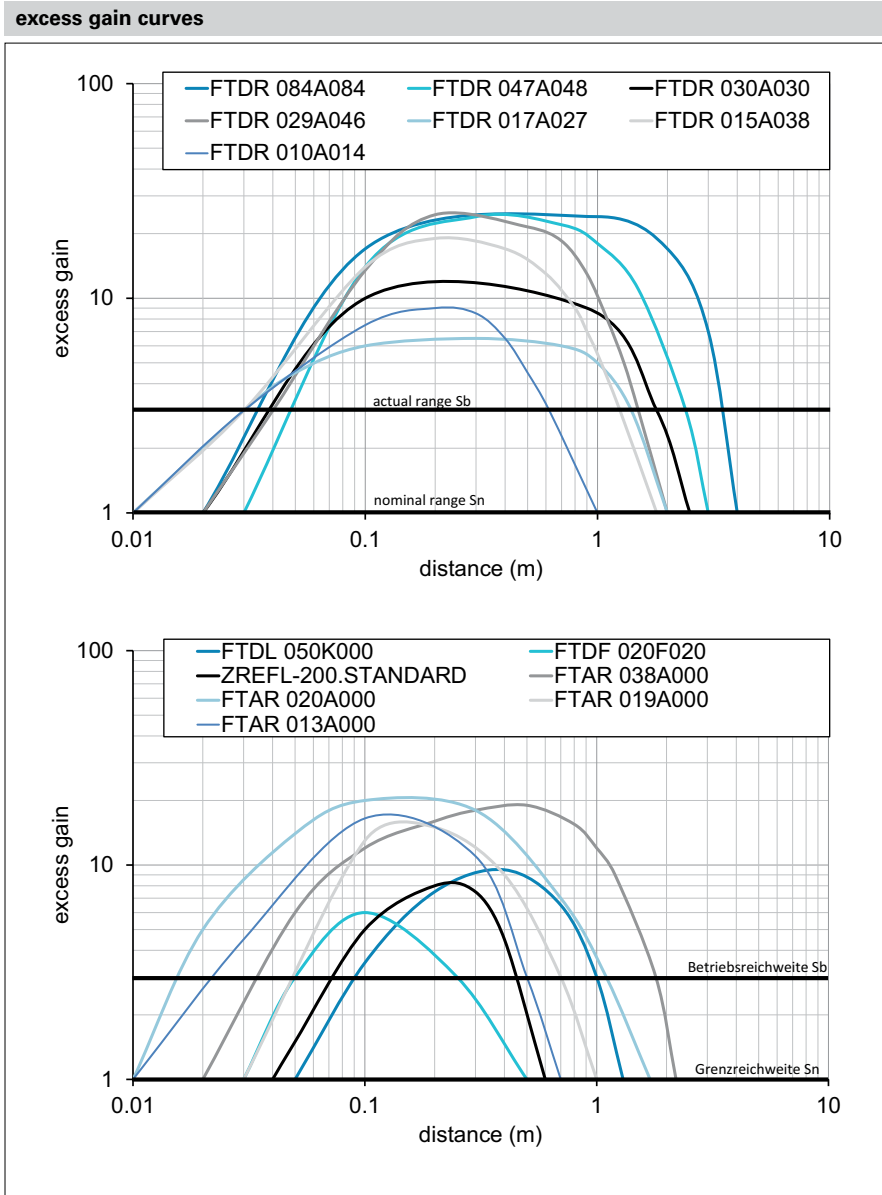
baud rate	230,4 kBaud (COM 3)
adjustable parameters	switching point time filters LED status indicators output logic counter deactivate the sensor element Find Me function Teach-in mode
IO-Link port type	Class A
process data length	32 Bit
process data structure	Bit 0 = SSC1 (presence) Bit 2 = quality Bit 3 = alarm Bit 5 = SSC4 (counter) Bit 16-31 = 16 Bit measurement
interface	IO-Link V1.1
additional data	signal strength excess gain operating cycles device temperature
cycle time	≥ 0,6 ms

beam characteristic (typically)



Retro-reflective sensors

O200.RP-11210550



Retro-reflective sensors

O200.RP-11210550

