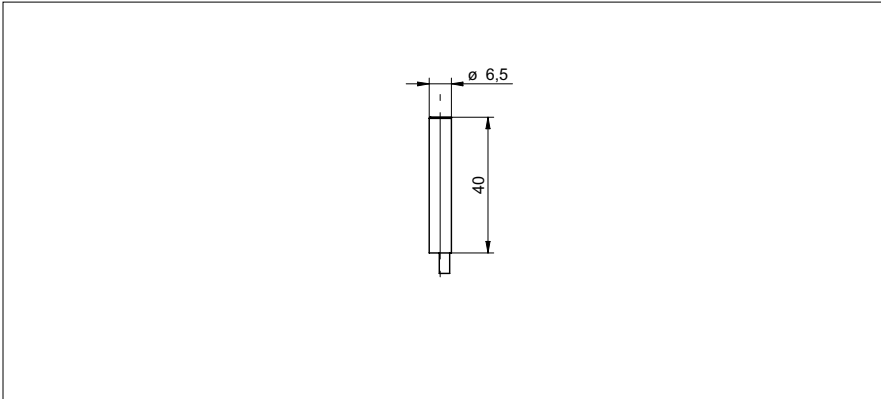


Inductive distance measuring sensors

IR06.D03L-11174154

dimension drawing



general data

mounting type	quasi-flush
special type	linearized
measuring distance Sd	0 ... 3 mm
sensitivity	3,33 V/mm
resolution	< 0,003 mm (stat.) < 0,009 mm (dynam., S = 0 ... 2 mm) < 0,018 mm (dynam., S = 0 ... 3 mm)
repeat accuracy	< 0,01 mm
linearity error	$\pm 15 \mu\text{m}$ (S = 0 ... 2 mm) $\pm 90 \mu\text{m}$ (S = 0 ... 3 mm)
temperature drift	$\pm 2 \%$ (Full Scale; S = 0 ... 2 mm) $\pm 6 \%$ (Full Scale; S = 0 ... 3 mm)

electrical data

response time (factory characteristic)	< 2 ms
voltage supply range +Vs	12 ... 30 VDC
current consumption max. (no load)	10 mA
output circuit	voltage output
output signal	0 ... 10 VDC
load resistance	> 4000 Ohm
short circuit protection	yes
reverse polarity protection	yes

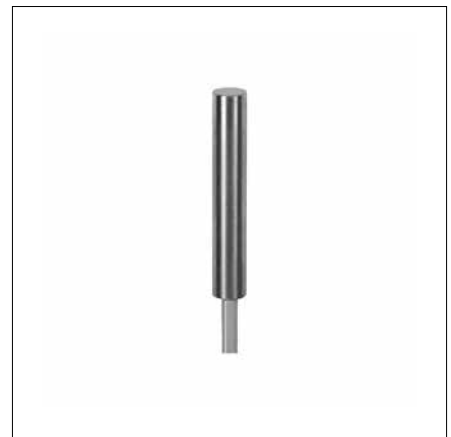
mechanical data

type	cylindrical smooth
housing material	stainless steel
dimension	6,5 mm
housing length	40 mm
connection types	cable, 2 m

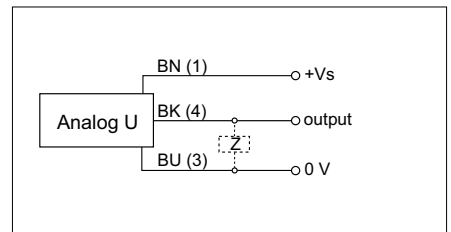
ambient conditions

operating temperature	-25 ... +75 °C
protection class	IP 67

photo



connection diagram



• linear analog output