

overview

- 2448 × 2048 px
- Sony IMX250
- 2/3" CMOS
- 163 fps
- 10 GigE
- available



technical data

sensor information

sensor	Sony IMX250
resolution	2448 × 2048 px
exposure time	0,001 ... 60000 ms
pixel size	3.45 × 3.45 µm
shutter type	Global shutter
sensor type	2/3" CMOS

acquisition formats

image formats, interface frame rate max.	Full Frame, 2448 × 2048 px, max. 163 fps Binning 2×2, 1224 × 1024 px, max. 163 fps Binning 2×1, 1224 × 2048 px, max. 163 fps Binning 1×2, 2448 × 1024 px, max. 163 fps
image formats, acquisition frame rate max. (Burst Mode)	Full Frame, 2448 × 2048 px, max. 163 fps

pixel formats	BayerRG8 BayerRG10 BayerRG12 BayerRG12 Packed Mono8 Mono10 Mono12 Mono12 Packed RGB8 BGR8
---------------	--

image preprocessing

analog controls	Gain (0 ... 48 dB) Offset (0 ... 255 LSB 12 Bit)
color models	Mono Raw Bayer RGB BGR

camera features

synchronization	free running trigger
trigger sources	Hardware software ActionCommand
trigger delay	0 ... 2 sec, tracking and buffering of up to 256 trigger signals
internal image buffer	1024 MB 207 images (Trigger Mode) 1 image (Free Running Mode)

interfaces and connectors

data interface	10 Gigabit Ethernet, Transfer rate 10000 Mbits/sec, Connector: SFP+ cage
process interface	M12 / 12 pins a-coded (SACC-CI-M12MS-12CON-L180)
power supply	via M12/12 pins a-coded

mechanical data

lens mount	C-mount
width	60 mm
height	60 mm
depth	79,6 mm

technical data

mechanical data

weight ≤ 415 g

material aluminum

electrical data

voltage supply range +Vs 12 ... 24 V DC (external power supply)

non-volatile memory

flash memory size 128 kB

environmental conditions

operating temperature 0 ... +65 ° @ T = measurement point

humidity 10 ... 90 % (non-condensing)

protection class IP 40
IP 54 (with mounted tube and cable)
IP 65 (with mounted tube and cable)
IP 67 (with mounted tube and cable)

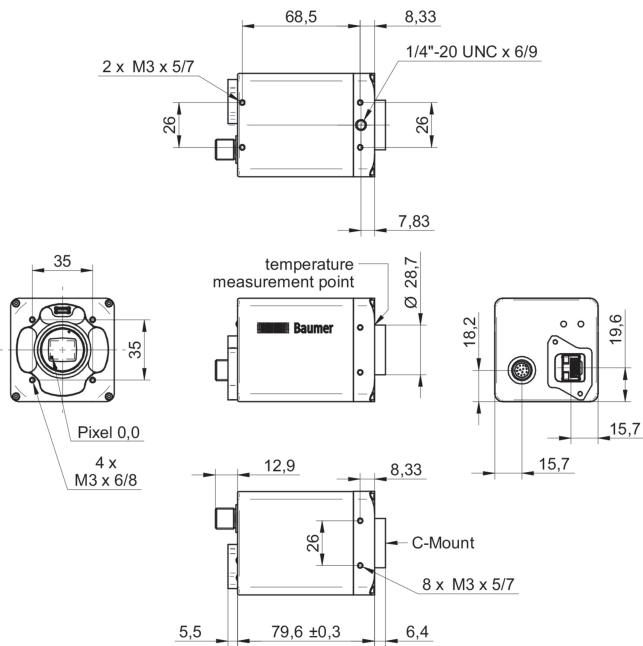
digital I/Os

lines 2 input lines
4 output lines with pulse width modulation (PWM) (max. 48 V / max. 2,5 A)
RS232

conformity

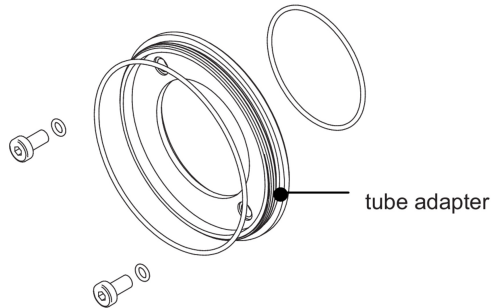
conformity CE
RoHS

dimension drawing

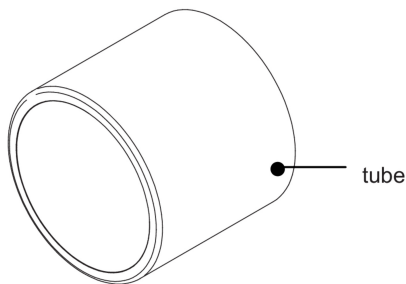


Principle

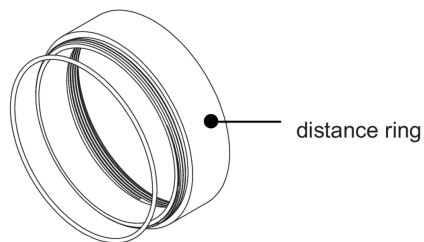
Optional accessories for protection class IP65/67:



- tube adapter
- Ø 65 mm, hard-anodized, incl. sealing and screws (VCXG.I 11185377; VLXT 11193125)



- tube
- Ø 65 mm, length 58 mm, hard-anodized, cover glass PMMA (11185374)
 - Ø 65 mm, length 58 mm, hard-anodized, tempered laminated safety glass (11195426)



- distance ring
- Ø 65 mm, length 12 mm, hard-anodized, incl. sealing (11185375)
 - Ø 65 mm, length 6 mm, hard-anodized, incl. sealing (11185376)
 - Ø 65 mm, length 36 mm, hard-anodized, incl. sealing (111988906)