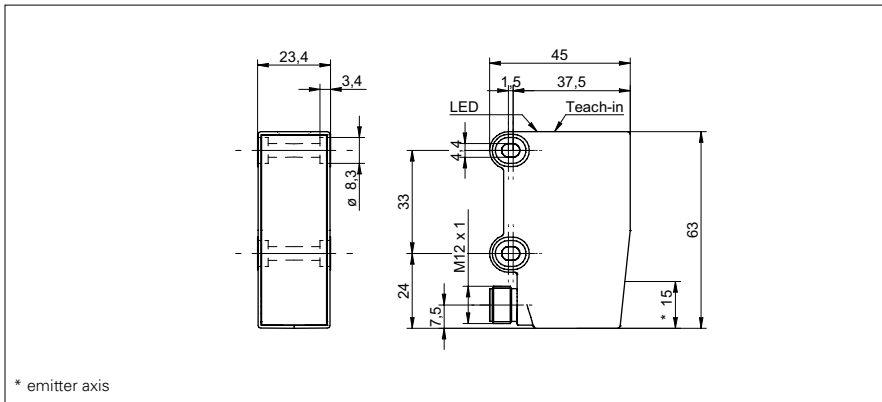


Diffuse sensors with background suppression

OHDK 25G6921/S14

dimension drawing



general data

type	background suppression
light source	pulsed red laser diode
sensing distance Tw	100 ... 900 mm
sensing range Tb	100 ... 900 mm
power on indication	LED green
light indicator	LED yellow
sensing distance adjustment	Teach-in
laser class	1
wave length	656 nm
beam diameter	3,7 ... 13 mm
black/white shift	0%

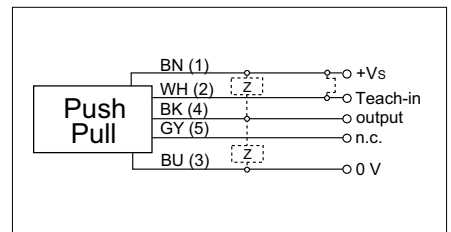
photo



electrical data

response time / release time	< 10 ms
voltage supply range +Vs	10 ... 30 VDC
current consumption max. (no load)	80 mA
voltage drop Vd	< 3,5 VDC
output function	light / dark operate
output circuit	push-pull
output current	< 100 mA
short circuit protection	yes
reverse polarity protection	yes

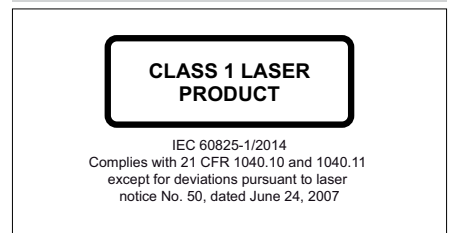
connection diagram



mechanical data

width / diameter	23,4 mm
height / length	63 mm
depth	45 mm
type	rectangular
housing material	plastic (SAN LURAN 378P)
front (optics)	PMMA
connection types	connector M12 5 pin

laser warning



• qTeach

Diffuse sensors with background suppression

OHDK 25G6921/S14

ambient conditions

operating temperature	0 ... +50 °C
protection class	IP 67
storage temperature	-10 ... +70 °C