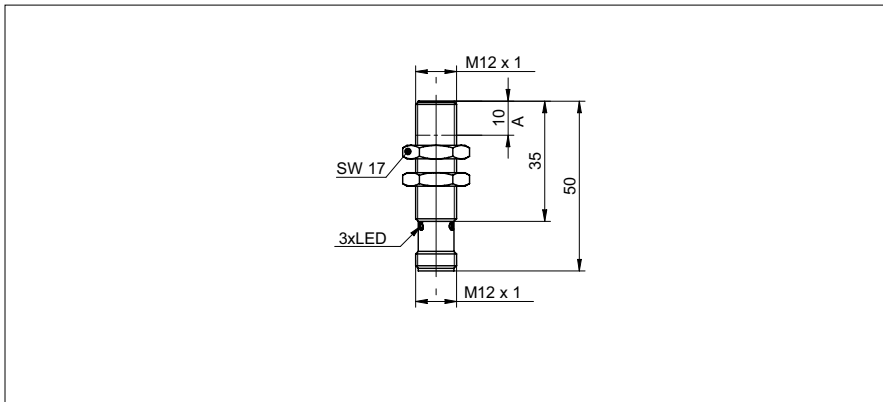


**Inductive proximity switches**

**IR12.P04S-11158411**

**dimension drawing**



**general data**

mounting type	flush
special type	Marine
nominal sensing distance $S_n$	4 mm
temperature drift	$\pm 20 \%$
hysteresis	2 ... 18 % of $S_r$
output indicator	3 port LED red
correction factor typ.	mild steel 100 %, stainless steel 75 %, aluminum 45 %
approvals/certificates	DNV GL

**electrical data**

switching frequency	< 1 kHz
voltage supply range +Vs	6 ... 36 VDC
normal operating voltage	24 VDC
current consumption max. (no load)	12 mA
output circuit	PNP break function (NC)
voltage drop $V_d$	< 2 VDC
output current	< 100 mA
short circuit protection	yes
reverse polarity protection	yes

**mechanical data**

type	cylindrical threaded
material (sensing face)	PBT
housing material	stainless steel 1.4404 (V4A)
dimension	12 mm
housing length	50 mm
connection types	connector M12
tightening torque max.	20 Nm (A: 12 Nm)

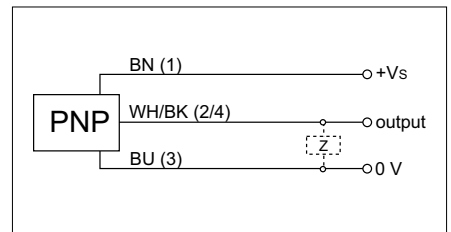
**ambient conditions**

operating temperature	-40 ... +75 °C
protection class	IP 67

**photo**



**connection diagram**

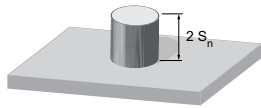


- Marine Type Approval (acc. to DNVGL-CG-0339)
- extended temperature range

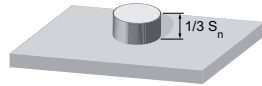
# Inductive proximity switches

# IR12.P04S-11158411

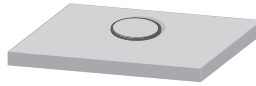
## correction factors for different mounting situations (approx.)



Mounting material	Correction factor
Mild steel	100 %
Stainless steel	100 %
Aluminum	100 %



Mounting material	Correction factor
Mild steel	100 %
Stainless steel	90 %
Aluminum	80 %



Mounting material	Correction factor
Mild steel	100 %
Stainless steel	80 %
Aluminum	65 %

## mounting instructions

