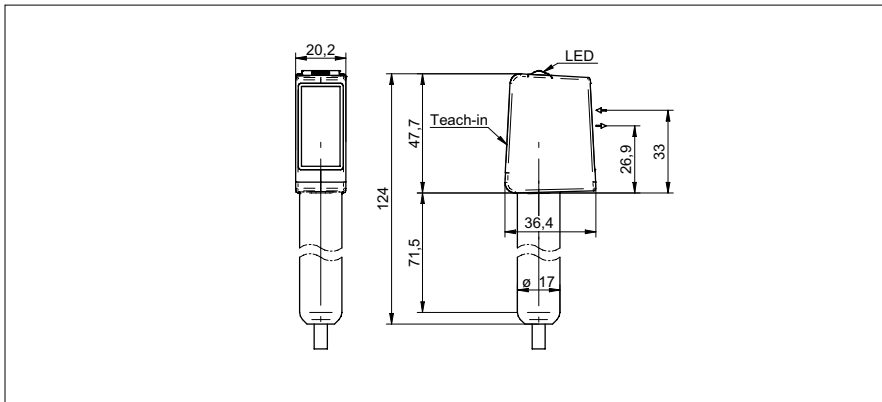


Retro-reflective sensors

O500H.RP.T-11157354

dimension drawing



general data

| | |
|-------------------------------------|-------------------------------|
| type | retro-reflective sensor |
| special type | hygienic design |
| version | transparency object detection |
| light source | pulsed PinPoint LED |
| actual range Sb | 5,5 m |
| nominal range Sn | 6 m |
| polarization filter | yes |
| minimal signal attenuation | 10 % / 20 % / 30 % |
| light indicator | LED yellow |
| power on indication | LED green |
| sensitivity adjustment | Teach-in and IO-Link |
| wave length | 630 nm |
| suppression of reciprocal influence | yes |
| alignment optical axis | < 1° |
| approvals/certificates | Ecolab |

electrical data

| | |
|------------------------------------|----------------------|
| response time / release time | < 0,25 ms |
| voltage supply range +Vs | 10 ... 30 VDC |
| current consumption max. (no load) | 35 mA |
| current consumption typ. | 30 mA |
| voltage drop Vd | < 3 VDC |
| output function | light / dark operate |
| output circuit | push-pull |
| output current | < 100 mA |
| short circuit protection | yes |
| reverse polarity protection | yes |

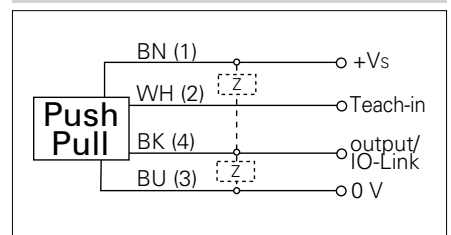
mechanical data

| | |
|------------------|------------------------------|
| width / diameter | 20,2 mm |
| height / length | 47,7 mm |
| depth | 36,4 mm |
| type | rectangular |
| housing material | stainless steel 1.4404 (V4A) |
| front (optics) | PMMA |
| connection types | cable 4 pin, 2 m |

photo



connection diagram



- magnetic Teach
- IO-Link: V1.1, filter functions, qTeach lock adjustable
- signal attenuation adjustable

Retro-reflective sensors**O500H.RP.T-11157354****ambient conditions**

| | |
|-----------------------|----------------------|
| operating temperature | -25 ... +60 °C |
| protection class | IP 68/69K & proTect+ |