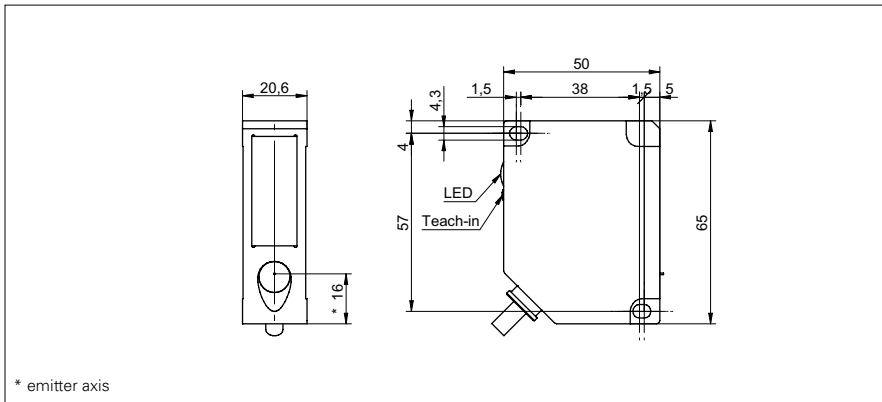


Distance sensors

OADM 20I6591

dimension drawing



general data

measuring distance Sd	50 ... 300 mm
adjustment	Teach-in: button / external
Teach-in range min.	> 5 mm
power on indication	LED green
soiled lens indicator	LED red
resolution	0,01 ... 0,4 mm
linearity error	± 0,2 ... ± 1,5 mm
light source	pulsed red laser diode
wave length	650 nm
laser class	2
beam type	line
beam width	2 mm
beam height	6 ... 11 mm
temperature drift	< 0,04 % Sde/K

electrical data

response time / release time	< 2 ms
voltage supply range +Vs	12 ... 28 VDC
current consumption max. (no load)	100 mA
output signal	4 ... 20 mA / 0 ... 10 VDC
load resistance (analog I)	< (+Vs - 6 V) / 0,02 A
load resistance (analog U)	> 100 kOhm
output current	< 100 mA
alarm output	PNP
short circuit protection	yes
reverse polarity protection	yes, Vs to GND

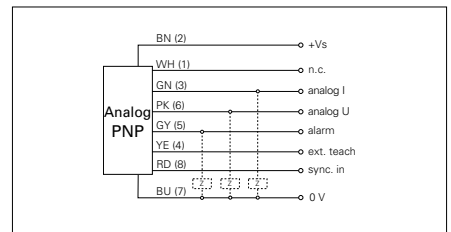
mechanical data

width / diameter	20,6 mm
height / length	65 mm
depth	50 mm
type	rectangular
housing material	die-cast zinc
front (optics)	glass
connection types	cable 8 pin, 2 m

photo



connection diagram



alignment of the laser line



Distance sensors

OADM 20I6591

ambient conditions

ambient light immunity	< 100 kLux
operating temperature	-20 ... +60 °C
protection class	IP 67
vibration (sinusoidal)	IEC 60068-2-6:2008 30 g at f = 10 - 2000 Hz, cycles per axis
shock (semi-sinusoidal)	IEC 60068-2-29:2009 75 g / 6 ms, 4000 jolts per axis and direction

laser warning

