



features

- flashable LED bar light
- red (617 nm)
- radiation angle 30°
- 24 V
- M8/4-pin connector (cable has to be ordered separately)
- dimensions: 74 mm × 15 mm × 17 mm housing
- connector and pin assignment suitable for VeriSens® XC series

general data

manufacturer BÜCHNER Lichtsysteme GmbH

illumination data

color red (617 nm)

illumination mode flashable

mechanical data

construction design bar light

dimensions 74 mm × 15 mm × 17 mm

dimensions 59,4 mm × 10,5 mm

luminous area

weight ≤ 30 g

material aluminum (anodized)

electrical data

number of poles 4

illumination connector M8 connector

current ≤ 0,2 A

current at flash mode ≤ 0,2 A

voltage at flash mode ≤ 48 V

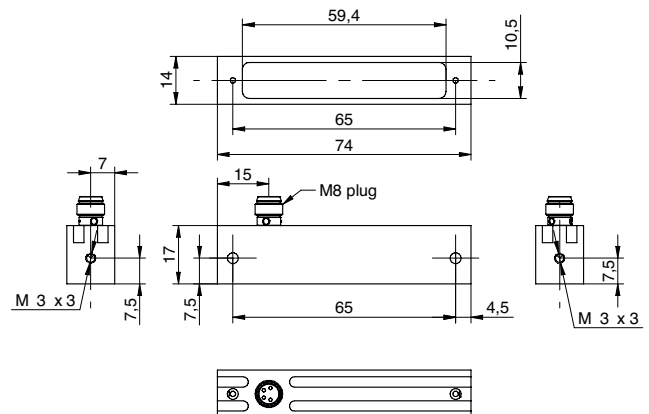
duty cycle 0-10%

maximum flash duration 1 ms

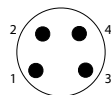
environmental conditions

operating temperature max. 50 °C

dimension drawing



pin assignment



| M8 | signal |
|----|----------------------------|
| 1: | LED +24V (pulsing 24-48 V) |
| 2: | N.C. |
| 3: | LED - (GND) |
| 4: | N.C. |