

Incremental encoders

Blind hollow shaft $\varnothing 10$ to $\varnothing 14$ mm

2...60 pulses per revolution

ITD 2 A 4 Y22



ITD 2 A 4 Y22 with blind hollow shaft

Features

- Encoder with blind hollow shaft $\varnothing 10...14$ mm
- Max. 60 pulses per revolution
- Optical sensing method
- Mounting by torque support
- TTL or HTL output signals
- Flange connector radial

Technical data - electrical ratings

Voltage supply	5 VDC $\pm 5\%$ 8...30 VDC
Reverse polarity protection	Yes
Consumption w/o load	≤ 100 mA
Pulses per revolution	2...60
Reference signal	Zero pulse, width 90°
Sensing method	Optical
Output frequency	≤ 120 kHz
Output signals	A, B, N + inverted
Output stages	TTL linedriver (short-circuit proof) HTL push-pull (short-circuit proof)
Interference immunity	DIN EN 61000-6-2
Emitted interference	DIN EN 61000-6-3

Technical data - mechanical design

Size (flange)	$\varnothing 58$ mm
Shaft type	$\varnothing 10$ mm (blind hollow shaft) $\varnothing 12$ mm (blind hollow shaft) $\varnothing 14$ mm (blind hollow shaft)
Mounting kit	002
Protection DIN EN 60529	IP 65
Operating speed	≤ 8000 rpm
Starting torque	≤ 0.01 Nm ($+20^\circ\text{C}$)
Materials	Housing: aluminium, black, powder-coated Shaft: stainless steel
Operating temperature	$-20...+70^\circ\text{C}$
Relative humidity	90 % non-condensing
Resistance	DIN EN 60068-2-6 Vibration 10 g, 55-2000 Hz DIN EN 60068-2-27 Shock 100 g, 11 ms
Connection	Connector M23 type 2, 12-pin
Weight approx.	280 g

Incremental encoders

Blind hollow shaft $\varnothing 10$ to $\varnothing 14$ mm

2...60 pulses per revolution

ITD 2 A 4 Y22

Part number

ITD 2 A 4 Y22 D2SR12 S IP65 002

Mounting kit
002 Mounting kit 002

Protection
IP65 IP 65

Blind hollow shaft
10 $\varnothing 10$ mm
12 $\varnothing 12$ mm
14 $\varnothing 14$ mm

Operating temperature
S -20...+70 °C

Connection
D2SR12 Flange connector type 2, pin contacts, radial, 12-pin

Output signals
BI A, A inv, B, B inv
NI A, A inv, B, B inv, 0, 0 inv

Voltage supply / signals
T 5 VDC / TTL level, linedriver
H 8...30 VDC / HTL level, push-pull
R 8...30 VDC / TTL level, linedriver

Pulse number - see table

Pulse number

2	14	20	30
5	15	21	32
10	16	23	50
12	18	25	60

Accessories

Connectors and cables

11072792	Connector M23 - S2BG12, 1 m cable (incremental)
----------	---

Incremental encoders

Blind hollow shaft $\varnothing 10$ to $\varnothing 14$ mm

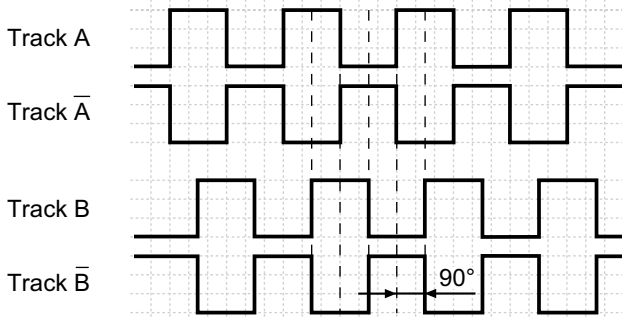
2...60 pulses per revolution

ITD 2 A 4 Y22

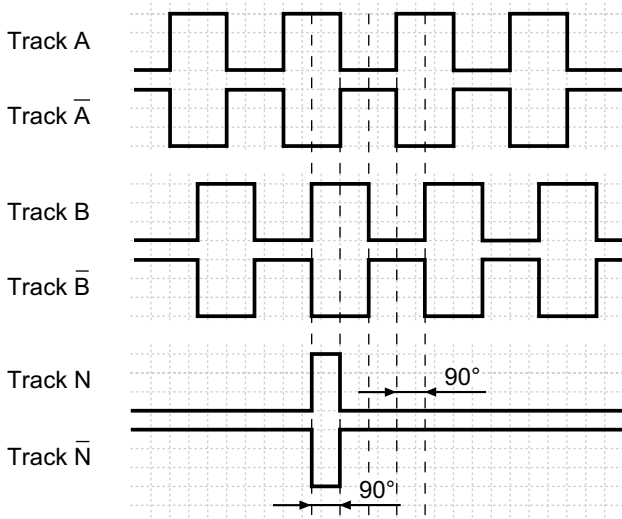
Output signals

Clockwise rotation when looking at the mounting side.

BI-Output signals

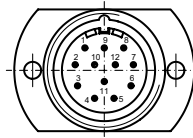


NI-Output signals



Terminal assignment

Connector	Assignment
Pin 5	Track A
Pin 6	Track A inv.
Pin 8	Track B
Pin 1	Track B inv.
Pin 3	Track N
Pin 4	Track N inv.
Pin 12	UB
Pin 10	GND
Pin 2	UB-Sense
Pin 11	GND-Sense
Pin 9	-
Pin 7	-

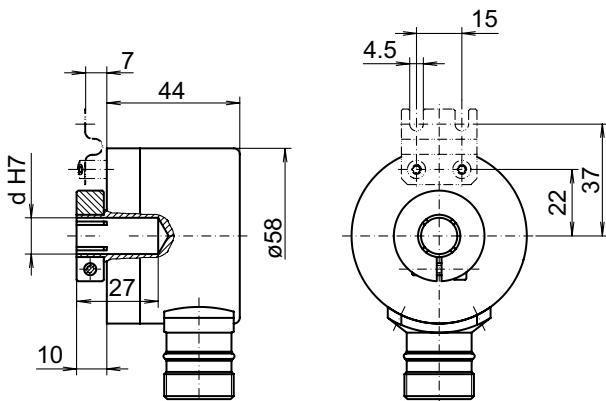


Trigger level

Outputs	Linedriver
Output level High	≥ 2.4 V
Output level Low	≤ 0.5 V
Load	≤ 70 mA

Outputs	Push-pull short-circuit proof
Output level High	$\geq UB - 3$ V
Output level Low	≤ 1.5 V
Load	≤ 70 mA

Dimensions



029- 1 Y22

Incremental encoders

Blind hollow shaft $\varnothing 10$ to $\varnothing 14$ mm
2...60 pulses per revolution

ITD 2 A 4 Y22
