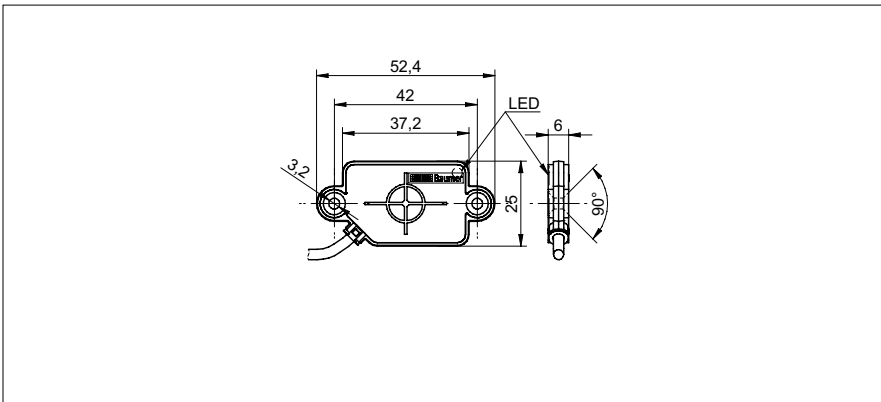


Capacitive proximity sensors

CFDK 25G3125/LN6

dimension drawing



general data

| | |
|--------------------------------|--|
| nominal sensing distance S_n | 15 mm |
| mounting type | non-flush |
| GND electrode | no |
| temperature drift | $\pm 20\%$ (0 ... +75 °C) $\pm 30\%$ (-25 ... 0 °C) |
| sensitivity adjustment | no |
| output indicator | LED red |

electrical data

| | |
|------------------------------------|---------------|
| voltage supply range +Vs | 10 ... 30 VDC |
| current consumption max. (no load) | 15 mA |
| output function | active low |
| output circuit | push-pull |
| output current | < 100 mA |
| voltage drop Vd | < 3 VDC |
| switching frequency | < 35 Hz |
| short circuit protection | yes |
| reverse polarity protection | yes |

mechanical data

| | |
|------------------|-------------------------|
| type | rectangular |
| housing material | PA 12 |
| dimension | 25 mm |
| housing length | 52,4 mm |
| depth | 6 mm |
| connection types | cable PVC 3 x 0,14, 2 m |

ambient conditions

| | |
|-----------------------|----------------|
| operating temperature | -25 ... +75 °C |
| protection class | IP 65 |

field of application

| | |
|--|-----|
| detection of non-conductive media | yes |
| fill level detection through container | no |
| liquids in direct contact | no |
| object detection / bulk goods | yes |

photo



connection diagram

