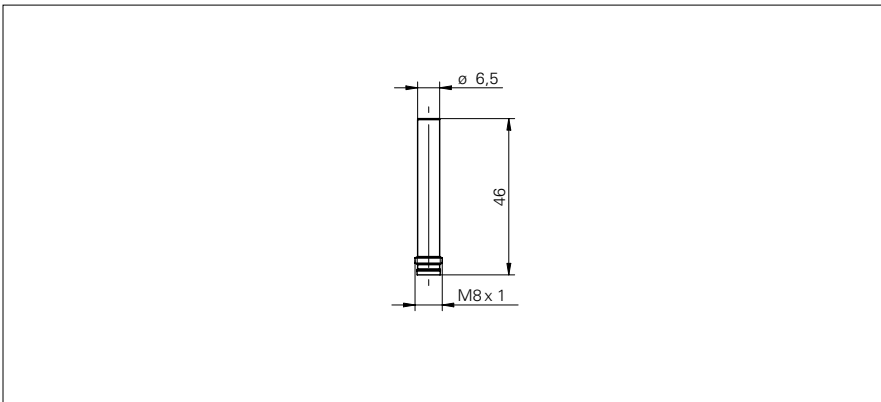


# Inductive distance measuring sensors

## IWRM 06I9501/S35

### dimension drawing



### general data

|                       |   |
|-----------------------|---|
| mounting type         | quasi-flush                               |
| measuring distance Sd | 0 ... 2 mm                                |
| resolution            | < 0,001 mm (stat.)<br>< 0,005 mm (dynam.) |
| repeat accuracy       | < 0,02 mm                                 |
| linearity error       | ± 100 µm                                  |
| temperature drift     | ± 5 % (Full Scale)                        |

### electrical data

|  |                |
|--|----------------|
| response time (factory characteristic) | < 0,7 ms       |
| voltage supply range +Vs               | 15 ... 30 VDC  |
| current consumption max. (no load)     | 35 mA          |
| output circuit                         | current output |
| output signal                          | 0 ... 10 mA    |
| load resistance +Vs min.               | < 910 Ohm      |
| load resistance +Vs max.               | < 2400 Ohm     |
| short circuit protection               | yes            |
| reverse polarity protection            | yes            |

### mechanical data

|                  |                    |
|------------------|--------------------|
| type             | cylindrical smooth |
| housing material | stainless steel    |
| dimension        | 6,5 mm             |
| housing length   | 46 mm              |
| connection types | connector M8       |

### ambient conditions

|                       |               |
|-----------------------|---------------|
| operating temperature | 10 ... +60 °C |
| protection class      | IP 67         |

### photo



### connection diagram

