

Combination

Encoder with integrated programmable, digital speed switch

Solid shaft with EURO flange B10 and/or housing foot B3

512...2500 pulses per revolution

POG 10 + DSL



POG 10 + DSL

Features

- Freely programmable on and off switching speed
- Programming via included software (RS485 interface)
- TTL or HTL, 512...2500 pulses per revolution
- EURO flange B10 and/or housing foot B3 / solid shaft $\varnothing 11$ mm
- DSL.R: 3 outputs speed controlled (independent transistor outputs)
- DSL.E: 2 outputs speed controlled and 1 control output

Optional

- Relay module DS 93 R (DSL.R version only)

Technical data - electrical ratings

Voltage supply	With DSL.R: 15...30 VDC With DSL.E: 9...30 VDC
Consumption w/o load	≤ 200 mA
Sensing method	Optical

Technical data - electrical ratings (encoder)

Pulses per revolution	512...2500
Phase shift	$90^\circ \pm 20^\circ$
Duty cycle	40...60 %
Reference signal	Zero pulse, width 90°
Output frequency	≤ 120 kHz
Output signals	K1, K2, K0 + inverted
Output stages	HTL TTL/RS422

Technical data - electrical ratings (speed switches)

Interface	RS485
Switching accuracy	± 2 % (or Digit)
Switching outputs	With DSL.R: 3 outputs, speed control With DSL.E: 2 outputs, speed control and 1 control output
Output switching capacity	With DSL.R: 12 VDC; ≤ 40 mA With DSL.E: 5...230 VAC/VDC; 5...250 mA
Switching delay time	≤ 40 ms

Technical data - mechanical design

Size (flange)	$\varnothing 115$ mm
Shaft type	$\varnothing 11$ mm solid shaft
Admitted shaft load	≤ 300 N axial ≤ 450 N radial
Flange	EURO flange B10 Housing foot B3
Protection DIN EN 60529	IP 66
Speed (n)	≤ 6000 rpm
Range of switching speed (ns)	Pulses = 512: ± 16 ...6000 rpm Pulses = 1024: ± 8 ...6000 rpm Pulses = 2048: ± 4 ...3500 rpm Pulses = 2500: ± 3 ...2900 rpm
Operating torque	≤ 2 Ncm
Rotor moment of inertia	290 gcm ²
Materials	Housing: aluminium Shaft: stainless steel
Operating temperature	-30 ... $+85$ °C
Resistance	IEC 60068-2-6 Vibration 20 g, 10-2000 Hz IEC 60068-2-27 Shock 200 g, 6 ms
Corrosion protection	IEC 60068-2-52 Salt mist for ambient conditions C4 according to ISO 12944-2
Explosion protection	II 3 G Ex nA IIC T4 Gc (gas) II 3 D Ex tc IIIC T135°C Dc (dust)
Connection	Terminal box
Weight approx.	3.3 kg
Interference immunity	EN 61000-6-2
Emitted interference	EN 61000-6-3
Approval	CE

Combination

Encoder with integrated programmable, digital speed switch

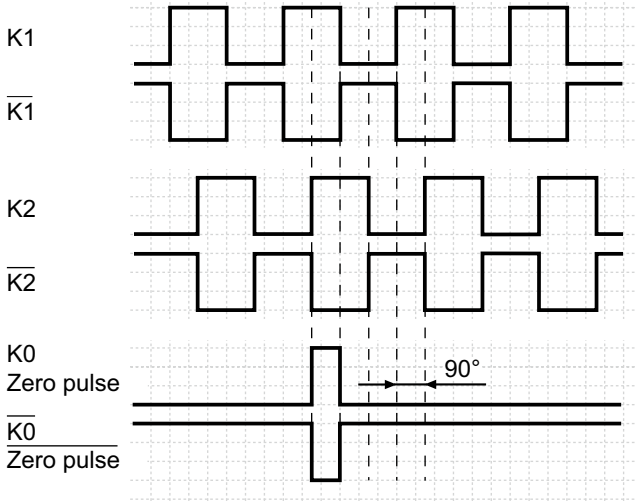
Solid shaft with EURO flange B10 and/or housing foot B3

512...2500 pulses per revolution

POG 10 + DSL

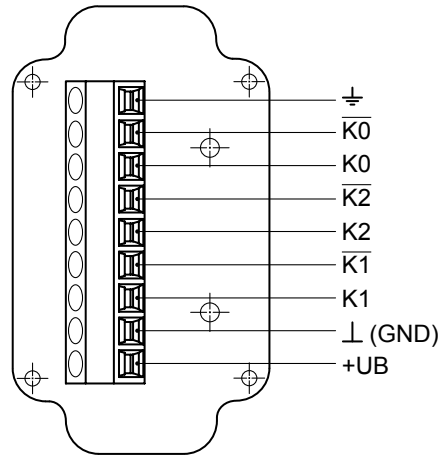
Output signals

At positive rotating direction



Terminal assignment

View A - Connecting terminal in terminal box



Terminal significance

Speed switch version DSL.R

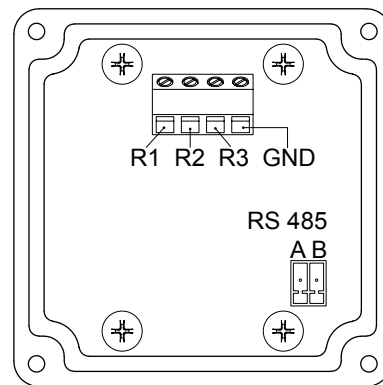
R1*	Transistor switching output 1, individually adjustable switching speed, High (12 V), Low (0 V), max. 20 mA
R2*	Transistor switching output 2, individually adjustable switching speed, High (12 V), Low (0 V), max. 20 mA
R3*	Transistor switching output 3, individually adjustable switching speed, High (12 V), Low (0 V), max. 20 mA
GND*	Ground connection
RS 485	Interface for PC or Laptop (adapter required). Programming of the DSL via the included software.

* Connection to relay module, for example DS 93 R (accessory)

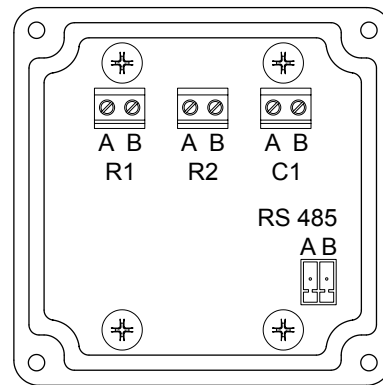
Speed switch version DSL.E

R1 (A+B)	Electronic relay output 1, individually adjustable switching speed, 5 ... 230 V AC/DC
R2 (A+B)	Electronic relay output 2, individually adjustable switching speed, 5 ... 230 V AC/DC
C1 (A+B)	Electronic relay output as a control output, 5 ... 250 mA
RS 485	Interface for PC or Laptop (adapter required). Programming of the DSL via the included software.

View B - Connecting terminal speed switch Version DSL.R



View B - Connecting terminal speed switch Version DSL.E



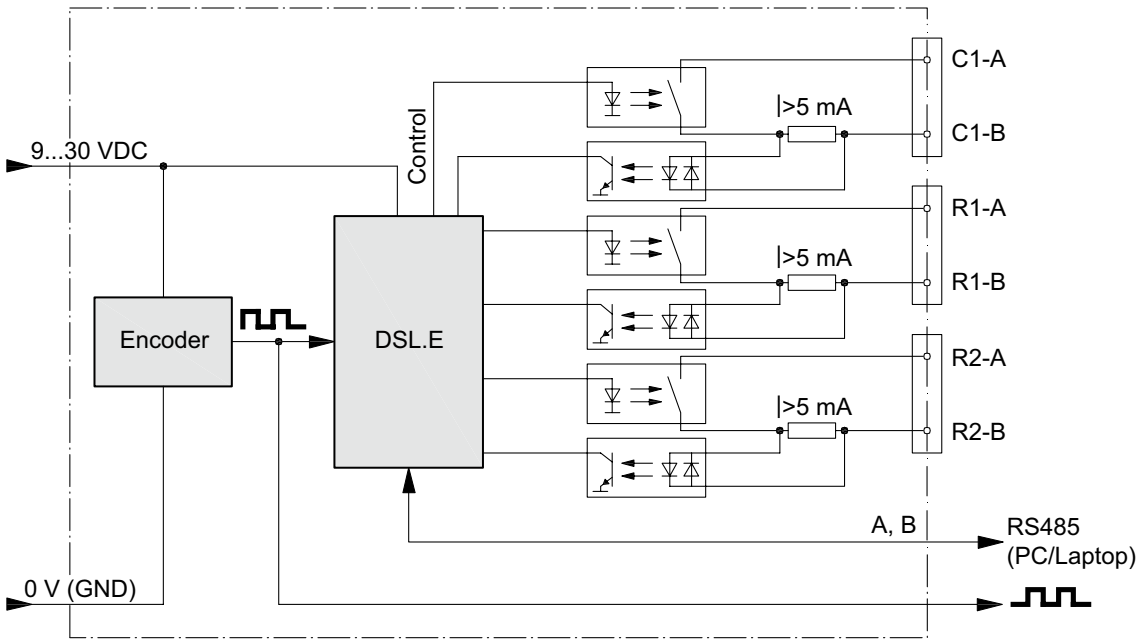
Combination

Encoder with integrated programmable, digital speed switch
 Solid shaft with EURO flange B10 and/or housing foot B3
 512...2500 pulses per revolution

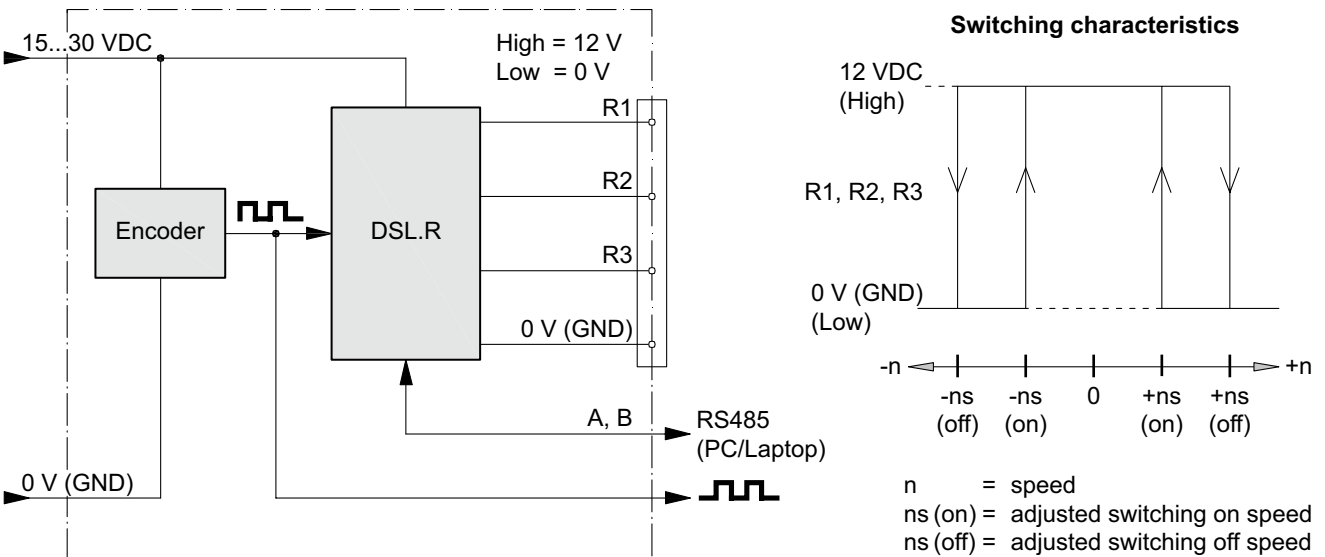
POG 10 + DSL

Block circuit diagram

Version with DSL.E



Version with DSL.R



Combination

Encoder with integrated programmable, digital speed switch

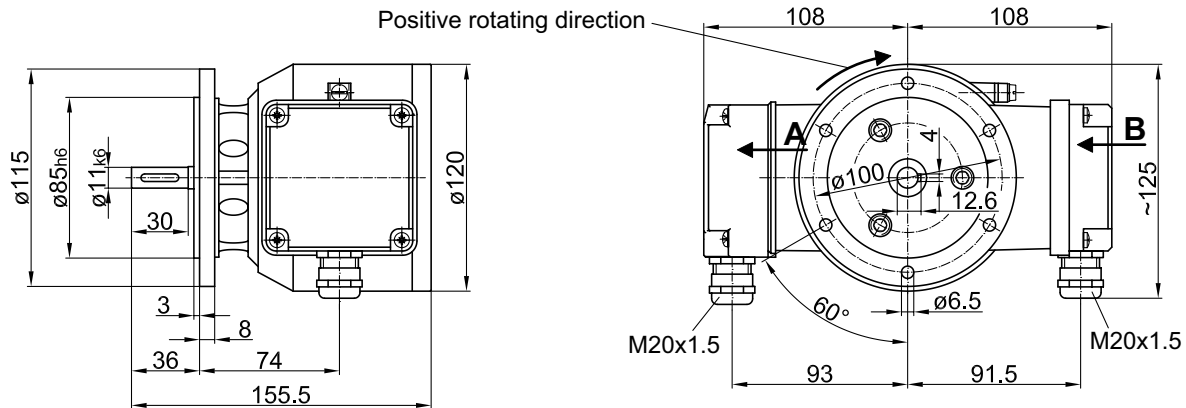
Solid shaft with EURO flange B10 and/or housing foot B3

512...2500 pulses per revolution

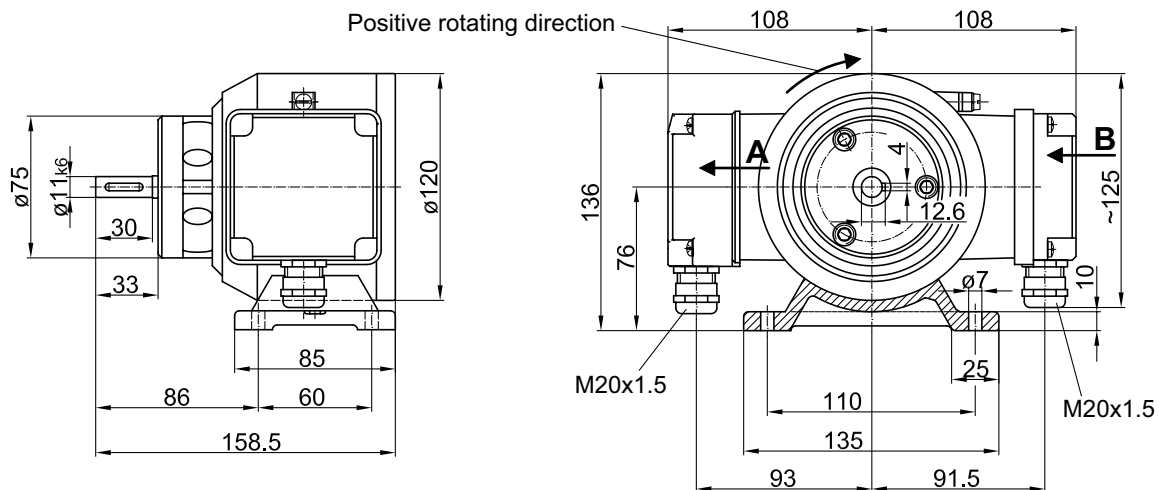
POG 10 + DSL

Dimensions

EURO flange B10



Housing foot B3



EURO flange B10 and housing foot B3

