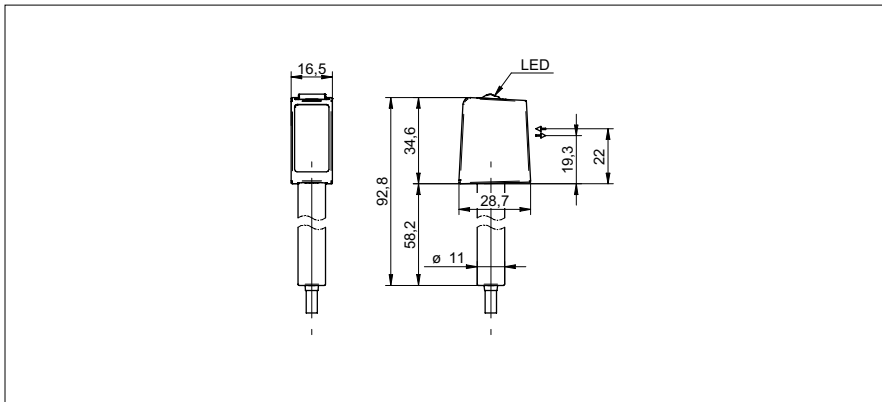


Retro-reflective sensors

O300H.RL-11172813

dimension drawing



general data

type	retro-reflective sensor
special type	hygienic design
light source	pulsed red laser diode
actual range Sb	5 m
nominal range Sn	6 m
repeat accuracy	< 0,2 mm at 500 mm
polarization filter	yes
light indicator	LED yellow
power on indication	LED green
sensitivity adjustment	Teach-in and IO-Link
laser class	1
distance to focus	parallel beam
wave length	656 nm
suppression of reciprocal influence	yes
alignment optical axis	< 2°
approvals/certificates	Ecolab

electrical data

response time / release time	< 0,1 ms
voltage supply range +Vs	11 ... 30 VDC
current consumption max. (no load)	30 mA
current consumption typ.	25 mA
voltage drop Vd	< 2,5 VDC
output function	light / dark operate
output circuit	push-pull
output current	< 100 mA
short circuit protection	yes
reverse polarity protection	yes

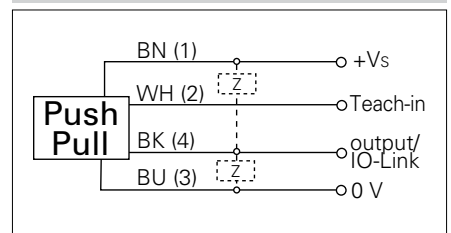
mechanical data

width / diameter	16,5 mm
height / length	34,6 mm
depth	28,7 mm
type	rectangular
housing material	stainless steel 1.4404 (V4A)
front (optics)	PMMA
connection types	cable 4 pin, 2 m

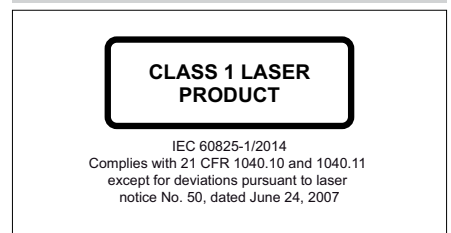
photo



connection diagram



laser warning



Retro-reflective sensors

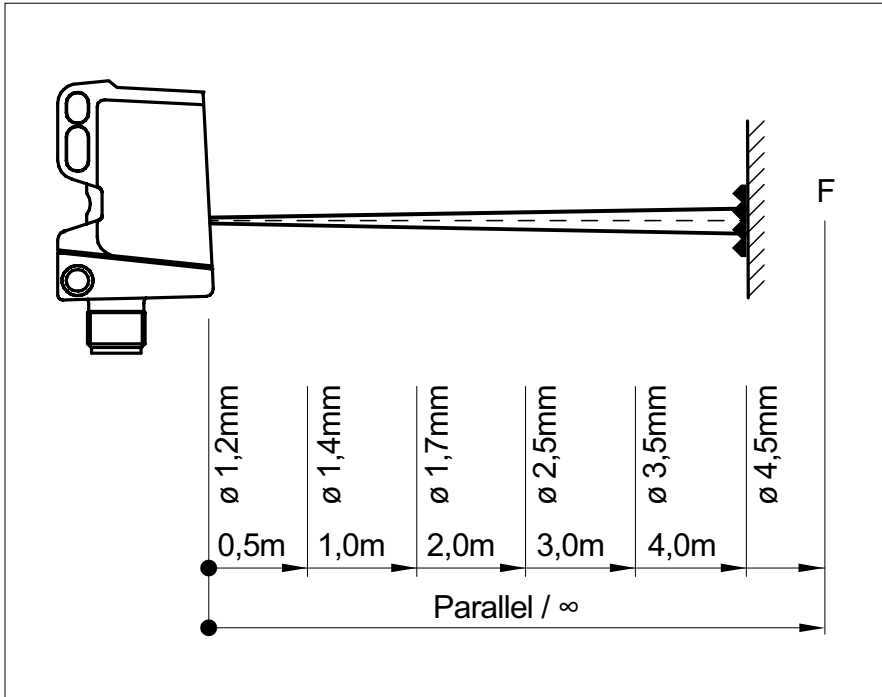
O300H.RL-11172813

ambient conditions

operating temperature	-10 ... +60 °C
protection class	IP 68/69K & proTect+

- magnetic Teach
- IO-Link: V1.1, filter functions, qTeach lock adjustable

beam characteristic (typically)



Retro-reflective sensors

O300H.RL-11172813

