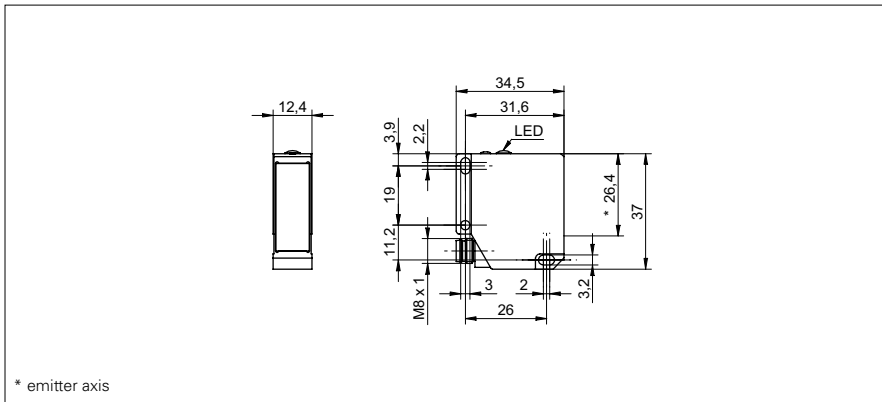


Distance sensors

OADM 12S7430/S35A

dimension drawing



general data

measuring distance Sd	16 ... 26 mm
adjustment	RS 485
power on indication	LED green
resolution	0,004 ... 0,008 mm
linearity error	± 0,013 ... ± 0,025 mm
light source	pulsed red laser diode
wave length	650 nm
laser class	1
beam type	point
beam diameter	0,5 ... 0,2 mm
interference suppression	< 30 ms
alarm indicator	LED red
temperature drift	< 0,04 % Sde/K

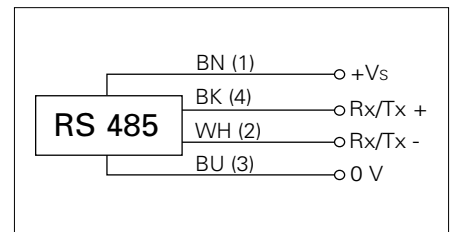
photo



electrical data

response time / release time	< 1,8 ms
voltage supply range +Vs	12 ... 28 VDC
current consumption max. (no load)	80 mA
output circuit	RS 485
baud rate	38400, adjustable
short circuit protection	yes
reverse polarity protection	yes, Vs to GND

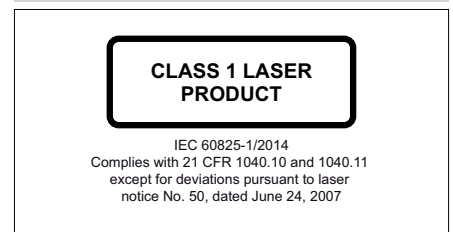
connection diagram



mechanical data

width / diameter	12,4 mm
height / length	37 mm
depth	34,5 mm
type	rectangular
housing material	die-cast zinc
front (optics)	glass
connection types	connector M8 4 pin

laser warning



• Teach-in button deactivated

Distance sensors**OADM 12S7430/S35A****ambient conditions**

ambient light immunity	< 50 kLux
operating temperature	0 ... +50 °C
protection class	IP 67