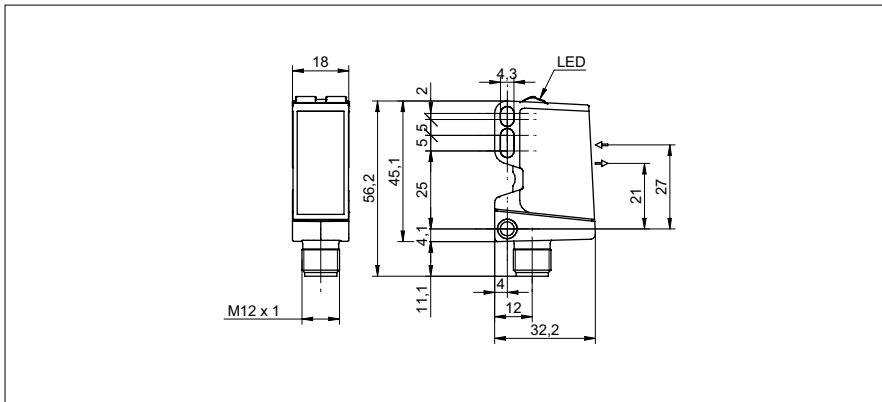


Retro-reflective sensors

O500.RR-11096091

dimension drawing



general data

| | |
|-------------------------------------|-------------------------|
| type | retro-reflective sensor |
| light source | pulsed red LED |
| actual range Sb | 7,5 m |
| nominal range Sn | 8 m |
| polarization filter | yes |
| light indicator | LED yellow |
| power on indication | LED green |
| sensitivity adjustment | no |
| wave length | 630 nm |
| suppression of reciprocal influence | yes |
| alignment optical axis | < 1° |

electrical data

| | |
|------------------------------------|---------------|
| response time / release time | < 0,49 ms |
| voltage supply range +Vs | 10 ... 30 VDC |
| current consumption max. (no load) | 40 mA |
| current consumption typ. | 30 mA |
| voltage drop Vd | < 3 VDC |
| output function | dark operate |
| output circuit | push-pull |
| output current | < 100 mA |
| short circuit protection | yes |
| reverse polarity protection | yes |

mechanical data

| | |
|------------------|---------------------|
| width / diameter | 18 mm |
| height / length | 45 mm |
| depth | 32 mm |
| type | rectangular |
| housing material | plastic (ASA, PMMA) |
| front (optics) | PMMA |
| connection types | connector M12 3 pin |

ambient conditions

| | |
|-----------------------|----------------|
| operating temperature | -25 ... +60 °C |
| protection class | IP 67 |

photo



connection diagram

