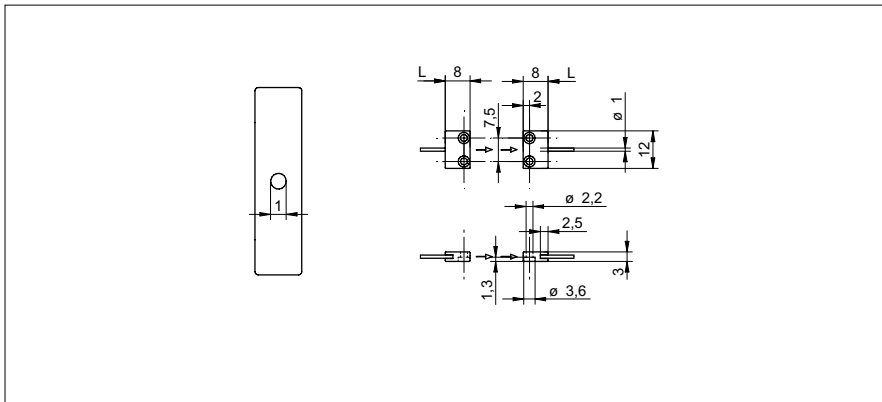


Through beam fiber optics

FSE 100F6Y01

dimension drawing



general data

type	through beam sensor
actual range Sb	140 mm
response time / release time	0,05 ... 5 ms
type of head (fiber optic cable)	rectangular
width / diameter (head)	12 mm
height / length (head)	8 mm
depth (head)	3 mm
material (head)	POM
bending radius	1 mm
cable jacket diameter	1 mm
material cable jacket	PE
material (fiber optic cable)	plastic
length (fiber optic cable)	1000 mm
operating temperature	-30 ... +70 °C

photo



Sensing distance/response time:

For the definitive sensing distance/response time please see table below "fitting fiber optic sensors".



- Side view
- Highly flexible fiber with a min. bending radius.

fitting fiber optic sensors	actual range Sb (0,05 ms)	actual range Sb (0,25 ms)	actual range Sb (1 ms)	actual range Sb (5 ms)
FVDK 67 (standard version)	17 mm (HS)	-	110 mm (nL)	140 mm (HP)
FVDK 67 (2 adjustable outputs)	17 mm (HS)	-	110 mm (nL)	140 mm (HP)
FVDK 67 (master/slave)	17 mm (HS)	-	110 mm (nL)	140 mm (HP)
FVDK 66 (standard version)	-	23 mm (FT)	40 mm (nL)	-
FVDK 66 (master/slave)	-	23 mm (FT)	40 mm (nL)	-
FVDK 22	-	-	40 mm (nL)	-
FVDK 12	-	-	40 mm (nL)	-
FVDK 12 (fast version)	37 mm (HS)	-	-	-
FVDK 10	-	-	15 mm (nL)	-
FWDK 84 (analog output)	-	-	11 mm (nL)	-

operating modes
 HS High Speed
 FT fast
 nL Standard
 HP High Sensitivity