

Accessories

Relay moduls

Relay modul DS 93 R



Description

Switch relay box for switching high voltages and currents for a digital speed switch (for example DSL or DS 93). Triggering is carried out by the three line drivers.

Part number

11016072 Relay modul DS 93 R

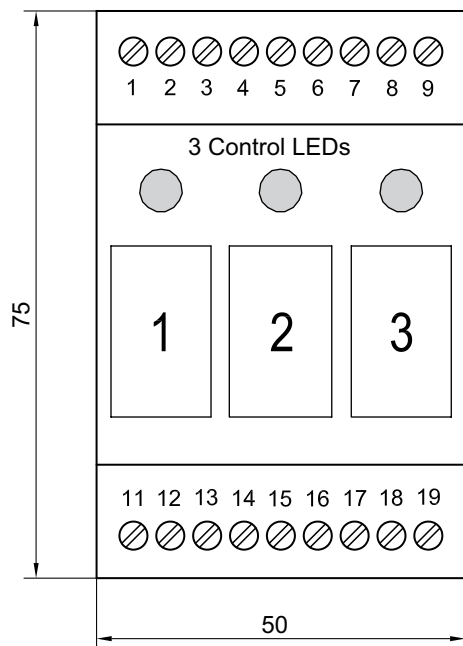
Suitable for

DS 93, HOG 10 + DSL.R, HOG 16 + DSL.R, HOG 165 + DSL.R, HOG 86 + DSL, POG 10 + DSL.R

Technical data

Dimensions W x H x L	50 x 75 x 55 mm
Cable length	<200 m (1 mm ² shielded)
Operating temperature	-20...+50 °C
Connection	Connecting terminal
Weight approx.	130 g
Protection DIN EN 60529	IP 20
Material	Housing: Polycarbonate
Approval	CE

Dimensions



Height = 55

Terminal assignment

