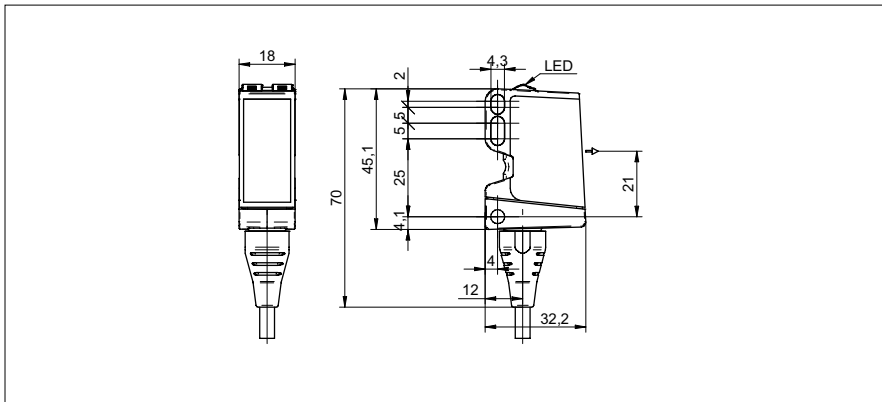


**Through beam sensors**

**O500.TR-11167269**

**dimension drawing**



**general data**

|                        |                     |
|------------------------|---------------------|
| type                   | through beam sensor |
| emitter / receiver     | emitter             |
| light source           | pulsed red LED      |
| actual range $S_b$     | 25 m                |
| nominal range $S_n$    | 40 m                |
| power on indication    | LED green           |
| wave length            | 645 nm              |
| alignment optical axis | < 1°                |

**electrical data**

|                                    |               |
|------------------------------------|---------------|
| response time / release time       | < 0,49 ms     |
| voltage supply range +Vs           | 10 ... 30 VDC |
| current consumption max. (no load) | 40 mA         |
| current consumption typ.           | 30 mA         |
| reverse polarity protection        | yes           |

**mechanical data**

|                  |                     |
|------------------|---------------------|
| width / diameter | 18 mm               |
| height / length  | 45 mm               |
| depth            | 32 mm               |
| type             | rectangular         |
| housing material | plastic (ASA, PMMA) |
| front (optics)   | PMMA                |
| connection types | cable 4 pin, 2 m    |

**ambient conditions**

|                       |                |
|-----------------------|----------------|
| operating temperature | -25 ... +60 °C |
| protection class      | IP 67          |

**photo**



**connection diagram**

