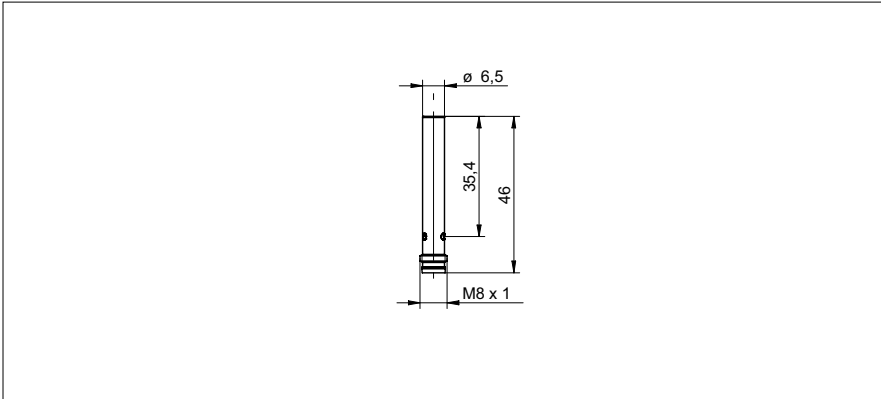


Inductive distance measuring sensors

IR06.D03L-11176070

dimension drawing



general data

| | |
|-----------------------|--|
| mounting type | quasi-flush |
| special type | linearized |
| measuring distance Sd | 0 ... 3 mm |
| sensitivity | 3,33 V/mm |
| resolution | < 0,003 mm (stat.) < 0,009 mm (dynam., S = 0 ... 2 mm) < 0,018 mm (dynam., S = 0 ... 3 mm) |
| repeat accuracy | < 0,01 mm |
| adjustment | Teach-in |
| linearity error | ± 10 µm (S = 0 ... 2 mm) ± 90 µm (S = 0 ... 3 mm) |
| temperature drift | ± 2 % (Full Scale; S = 0 ... 2 mm) ± 6 % (Full Scale; S = 0 ... 3 mm) |

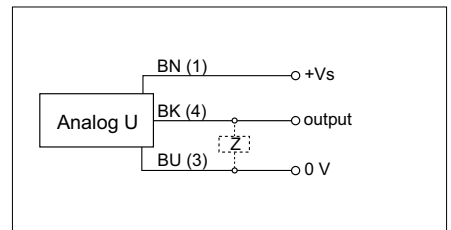
photo



electrical data

| | |
|--|----------------|
| response time (factory characteristic) | < 2 ms |
| voltage supply range +Vs | 12 ... 30 VDC |
| current consumption max. (no load) | 12 mA |
| output circuit | voltage output |
| output signal | 0 ... 10 VDC |
| load resistance | > 4000 Ohm |
| short circuit protection | yes |
| reverse polarity protection | yes |

connection diagram



mechanical data

| | |
|------------------|--------------------|
| type | cylindrical smooth |
| housing material | stainless steel |
| dimension | 6,5 mm |
| housing length | 46 mm |
| connection types | connector M8 |

ambient conditions

| | |
|-----------------------|----------------|
| operating temperature | -25 ... +75 °C |
| protection class | IP 67 |



- linear analog output
- magnetic Teach