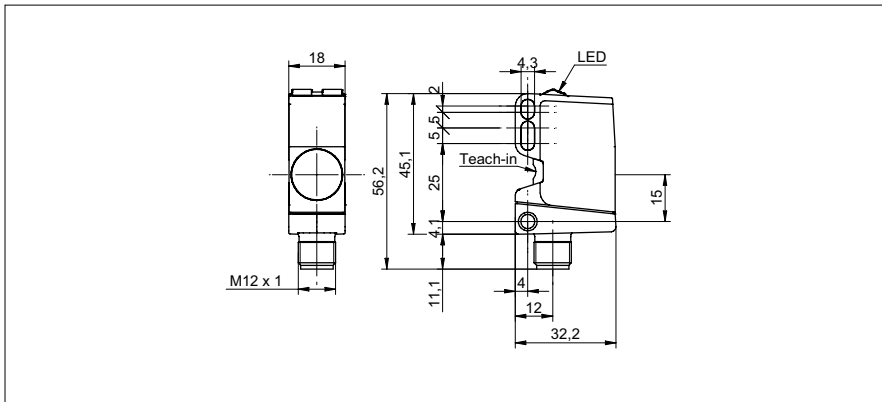


Ultrasonic distance measuring sensors

U500.DA0.2-11200630

dimension drawing



general data

scanning range Sd	70 ... 1000 mm
scanning range close limit Sdc	70 ... 1000 mm
scanning range far limit Sde	70 ... 1000 mm
repeat accuracy	< 0,5 mm
resolution	< 0,3 mm
response time ton	< 40 ms
release time toff	< 40 ms
temperature drift	< 2 % of distance to target So
power-up drift	compensated after 15 min.
sonic frequency	200 kHz
adjustment	qTeach, line-Teach
alignment aid	light indicator flashing
light indicator	LED yellow
power on indication	LED green
alignment measuring axis	< 2°

electrical data

voltage supply range +Vs	12 ... 30 VDC
current consumption typ.	35 mA
output circuit	current output
output signal	4 ... 20 mA / 20 ... 4 mA
residual ripple	< 10 % Vs
short circuit protection	yes
reverse polarity protection	yes, Vs to GND

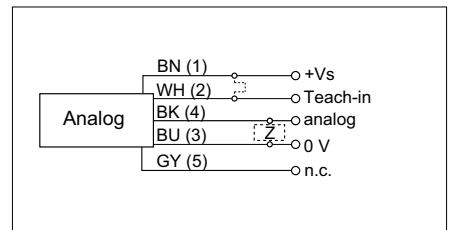
mechanical data

type	rectangular
housing material	plastic (ASA, PMMA)
coating active face	PEEK
width / diameter	18 mm
height / length	45 mm
depth	32 mm
connection types	connector M12 5 pin

photo



connection diagram



Ultrasonic distance measuring sensors

U500.DA0.2-11200630

ambient conditions

operating temperature	-25 ... +65 °C
storage temperature	-40 ... +75 °C
protection class	IP 67

typical sonic cone profile

