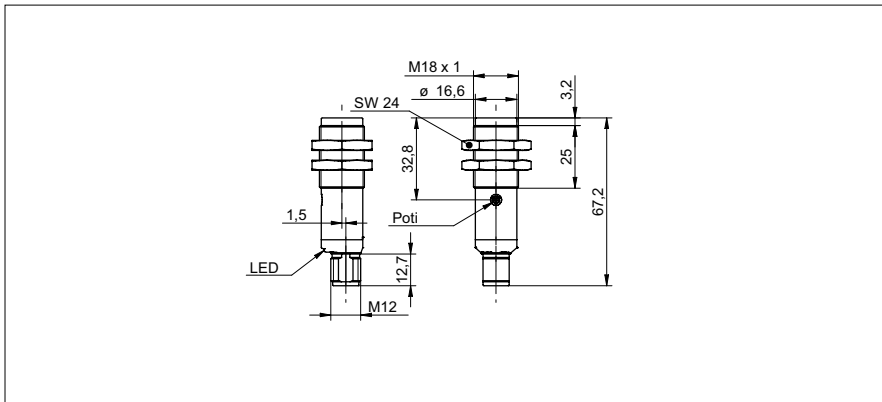


**Retro-reflective sensors**

**OR18W.RR-11157843**

**dimension drawing**



**general data**

type	retro-reflective sensor
special type	Washdown design
light source	pulsed red LED
actual range $S_b$	3,5 m
nominal range $S_n$	4,5 m
polarization filter	yes
alignment / soiled lens indicator	LED green
output indicator	LED yellow
sensitivity adjustment	potentiometer, 270°
wave length	660 nm
suppression of reciprocal influence	yes

**electrical data**

response time / release time	< 1 ms
voltage supply range +Vs	12 ... 30 VDC
current consumption max. (no load)	40 mA
current consumption typ.	30 mA
voltage drop $V_d$	< 2 VDC
output function	light / dark operate
output circuit	PNP
output current	< 100 mA
short circuit protection	yes
reverse polarity protection	yes

**mechanical data**

width / diameter	18 mm
height / length	67,2 mm
type	cylindrical threaded
housing material	stainless steel 1.4404 (V4A)
front (optics)	PMMA
connection types	connector M12 4 pin

**ambient conditions**

operating temperature	-25 ... +55 °C
protection class	IP 67/69K

**photo**



**connection diagram**

