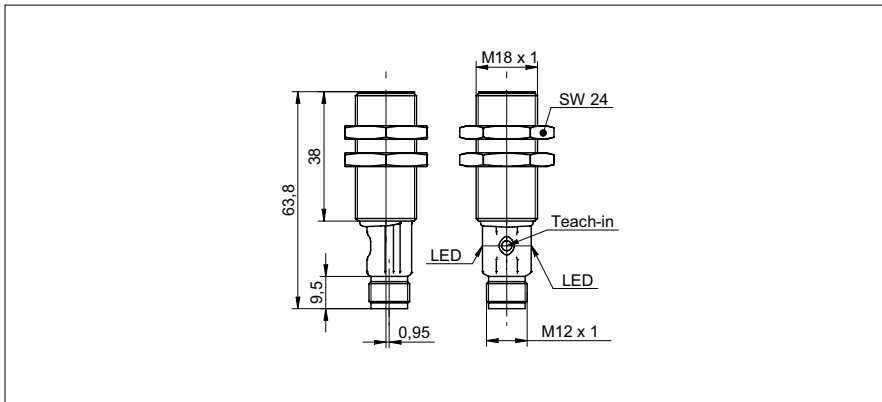


# Ultrasonic distance measuring sensors

**UR18.DA0-11119994**

**dimension drawing**



**general data**

scanning range Sd	100 ... 1000 mm
scanning range close limit Sdc	100 ... 1000 mm
scanning range far limit Sde	100 ... 1000 mm
repeat accuracy	< 0,5 mm
resolution	< 0,3 mm
response time ton	< 80 ms
release time toff	< 80 ms
temperature drift	< 2 % of distance to target So
power-up drift	compensated after 10 min.
sonic frequency	220 kHz
adjustment	qTeach
alignment aid	light indicator flashing
light indicator	LED yellow
power on indication	LED green
alignment measuring axis	< 2°

**electrical data**

voltage supply range +Vs	12 ... 30 VDC
current consumption typ.	38 mA
output circuit	voltage output
output signal	0 ... 10 V / 10 ... 0 V
residual ripple	< 10 % Vs
short circuit protection	yes
reverse polarity protection	yes, Vs to GND

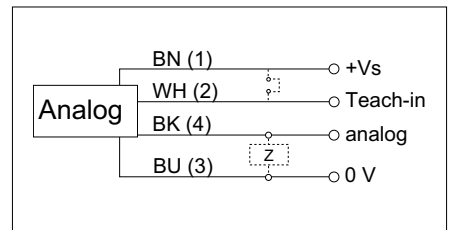
**mechanical data**

type	cylindrical threaded
housing material	brass nickel plated / TR90
width / diameter	18 mm
height / length	64 mm
connection types	connector M12

**photo**



**connection diagram**



UL.eps

# Ultrasonic distance measuring sensors

**UR18.DA0-11119994**

### ambient conditions

operating temperature	-25 ... +70 °C
storage temperature	-40 ... +85 °C
protection class	IP 67

### typical sonic cone profile

