

Bridge Amplifier for Strain Gage Full Bridge DABU AD2T-FB

Features

- Industrial bridge amplifier for S/G full bridge
- For cyclical and static applications with reset function
- Voltage output
- Protection class IP 65
- Analog signal path

Electrical Data

| | |
|--------------------------------|--|
| Output signal | ±10 V calibrated (max. ±12 V) |
| Characteristic curve deviation | < 0,2% |
| Supply voltage range | 18 - 33 VDC |
| Current draw | < 60 mA < 40 mA @ 24 VDC |
| Bridge excitation | approx. 7 VDC |
| S/G bridge resistance | 350 Ω (R _C) |
| Output impedance | 22 Ω |
| Tare accuracy | < 5 mV |
| Reset input | active 5 - 33 VDC < 2 mA inactive < 1 VDC |
| Tare range | ±6 mV/V |
| Reset puls | > 1 ms |
| Reset settle time | < 5 ms |
| Frequency range (-3 dB) | 1'000 Hz |
| Signal polarity | Bipolar |
| Noise | < 5 mVpp (0 ... 5 kHz) |

Mechanical Data

| | |
|--------------------|---------------------------|
| Control connection | 5 pin male (Series 713) |
| Sensor connection | 4 pin female (Series 712) |
| Enclosure | aluminum anodised |

Environmental Conditions

| | |
|-----------------------|--|
| Operating temp. range | -25...+85 °C |
| Specified temp. range | 0...+70 °C |
| Storage temperature | -40...+100 °C |
| Protection class | IP 65 |
| EMC | EN 61000-6-2 Immunity EN 61000-6-3 Emission |



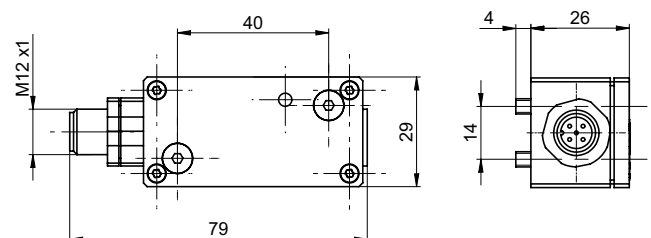
Order Code

DABU AD2T-FB 1.00

Gain

1,00 mV/V = 0 - 10 V

Dimensions (mm)



Delivery Contents

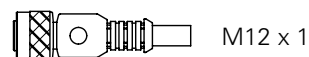
- Mounting screw 2 pcs. M4 x 30

Accessories (not included in delivery)



Series 713

Connector female, control side, 5-pin, Part No. 10135462
max. cable length 10 m



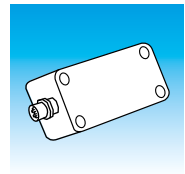
M12 x 1

Connector female with cable, control side, 5-pin

ESG 34CH0200G 5-pin (shielded) 2 m, PUR,
(Part No. 11046264)

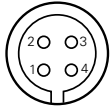
ESG 34CH0500G 5-pin (shielded) 5 m, PUR,
(Part No. 11046266)

ESG 34CH1000G 5-pin (shielded) 10 m, PUR,
(Part No. 10155587)



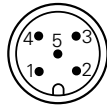
Electrical Connection

Sensor side Series 712



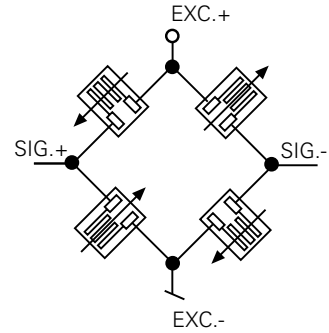
| Pin | Signal |
|-----|-------------------|
| 1 | Full bridge EXC.+ |
| 2 | Full bridge SIG.- |
| 3 | Full bridge SIG.+ |
| 4 | Full bridge EXC.- |

Control side Series 713

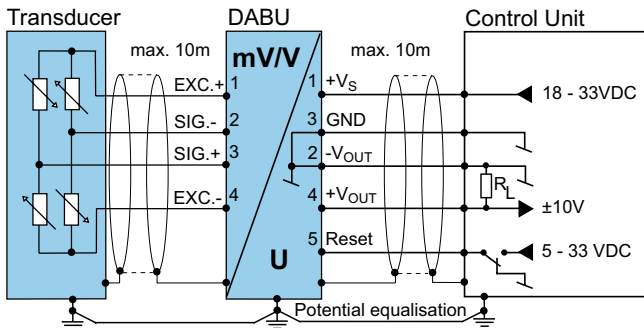


| Pin number | Signal |
|------------|-------------------|
| 1 | +Vs |
| 2 | -V _{OUT} |
| 3 | GND |
| 4 | +V _{OUT} |
| 5 | Reset |

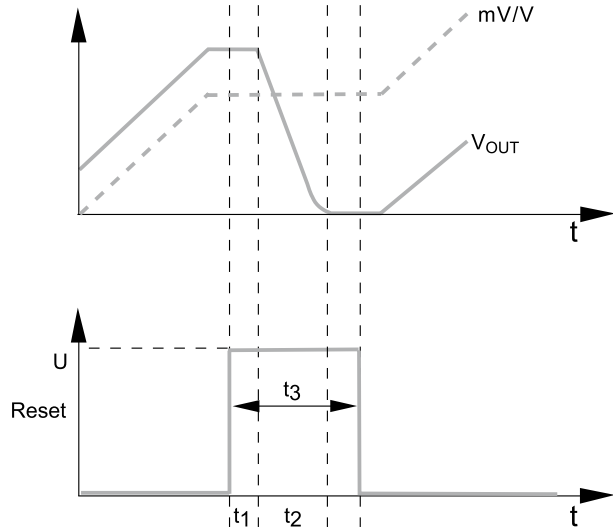
S/G Bridge



Control



Reset Function



| | |
|------------------|---------------------------|
| V _{OUT} | Output signal |
| mV/V | Input signal |
| Reset | Reset input (active high) |
| t ₁ | Reset delay (< 0,3 ms) |
| t ₂ | Reset time (< 5 ms) |
| t ₃ | Reset impuls (> 1 ms) |