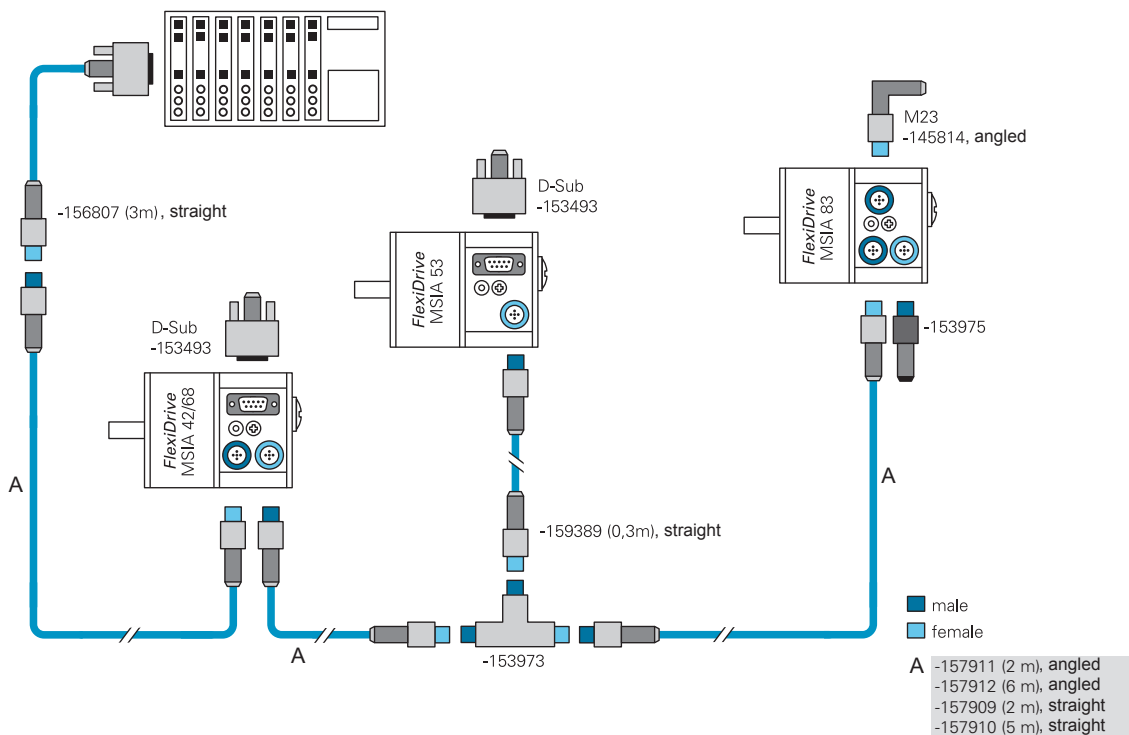


# Fieldbus wiring of actuator and positioning drives

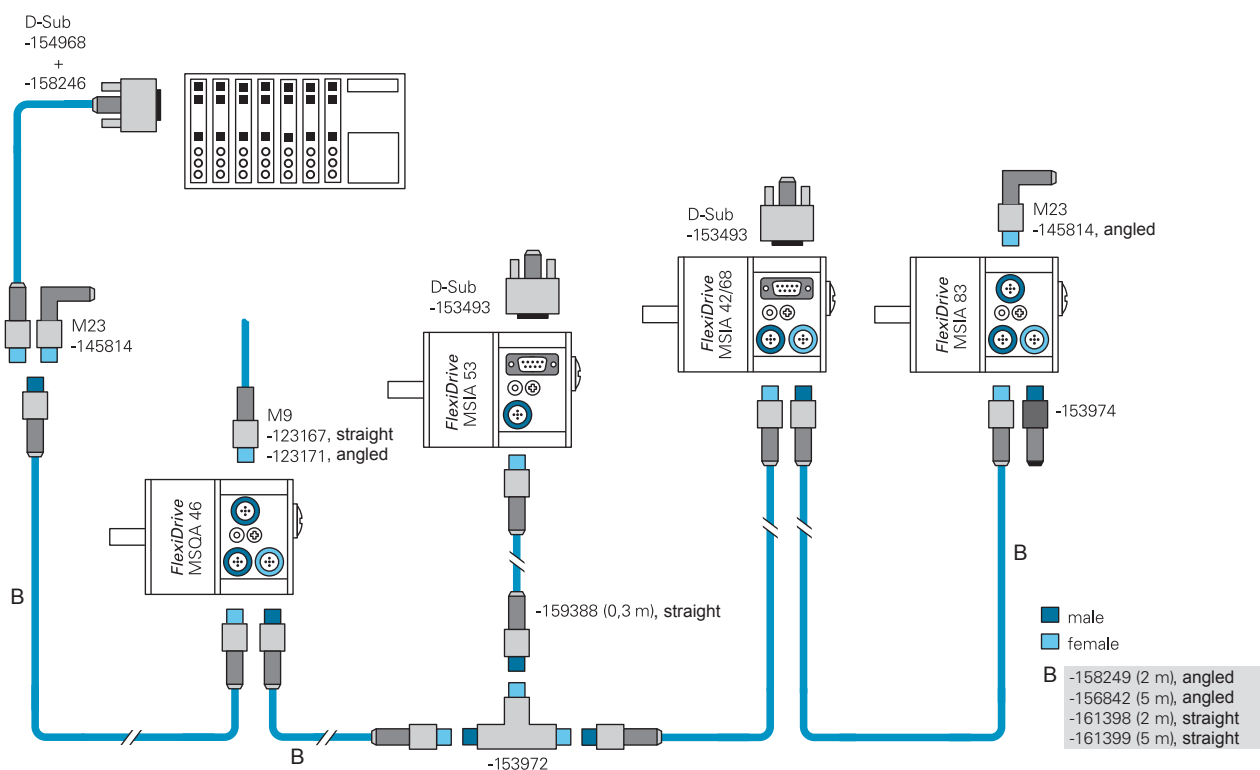
## FlexiDrive

fieldbus wiring (valid only for MSIA and MSQA)

Profibus-DP, M12 B-coded



CANopen, M12 A-coded



# Fieldbus accessories

## Profibus-DP

Premolded Profibus cable with M12 connector male/female (B-coded)

|  |                         |                   |
|--|-------------------------|-------------------|
| M12 male/female angled 2 m                                     | ESW 33A/KSW 33AP0200G/P | part nr. 10157911 |
| M12 male/female angled 6 m                                     | ESW 33A/KSW 33AP0600G/P | part nr. 10157912 |
| M12 male/female straight 0,3 m (spur)                          | ESW 33A/KSW 33AP0030G/P | part nr. 10159389 |
| M12 male/female straight 2 m                                   |                         | part nr. 10157909 |
| M12 male/female straight 5 m                                   |                         | part nr. 10157910 |
| T-connector M12 Profibus (2 male / 1 female)                   |                         | part nr. 10153973 |
| terminator M12 Profibus  |                         | part nr. 10153975 |
| protection cap M12   |                         | part nr. 10156808 |
| USB-to-Profibus adaptor  |                         | part nr. 10154326 |
| adaptor cable D-Sub (male) to M12 (female) straight 3 m        |                         | part nr. 10156807 |
| CD-ROM with GSD-/EDS-/XML-files and manuals                    |                         | part nr. 10147362 |
| connector M12 for self-fabricating of Profibus wires (B-coded) |                         |                   |
| M12 female straight  |                         | part nr. 10153970 |
| M12 male straight  |                         | part nr. 10153971 |
| M12 female angled  |                         | part nr. 10156585 |
| M12 male angled  |                         | part nr. 10156555 |
| M16 female straight  |                         | part nr. 10161157 |

## CANopen

Premolded CANopen cable with M12 connector male/female (A-coded)

|   |                         |                   |
|---|-------------------------|-------------------|
| M12 male/female angled 2 m                                    | ESW 33A/KSW 33AP0200G/C | part nr. 10158249 |
| M12 male/female angled 5 m                                    | ESW 33A/KSW 33AP0500G/C | part nr. 10156842 |
| M12 male/female straight 0,3 m (spur)                         | ESW 33A/KSW 33AP0030G/C | part nr. 10159388 |
| M12 male/female straight 2 m                                  |                         | part nr. 10161398 |
| M12 male/female straight 5 m                                  |                         | part nr. 10161399 |
| T-connector M12 CAN (1 male / 2 female)                       |                         | part nr. 10153972 |
| terminator M12 CAN  |                         | part nr. 10153974 |
| protection cap M12  |                         | part nr. 10156808 |
| USB-to-CAN adaptor  |                         | part nr. 10147798 |
| adaptor cable M12 (female) angled 2 m to open-end             |                         | part nr. 10158246 |
| CD-ROM with GSD-/EDS-/XML-files and manuals                   |                         | part nr. 10147362 |
| connector M12 for self-fabricating of CANopen wires (A-coded) |                         |                   |
| M12 female straight   |                         | part nr. 10153968 |
| M12 male straight   |                         | part nr. 10153969 |
| M12 female angled   |                         | part nr. 10145021 |
| M12 male angled   |                         | part nr. 10156584 |
| connector 9-pin D-Sub female angled (with terminator)         |                         | part nr. 10154968 |
| connector 9-pin D-Sub female angled (without terminator)      |                         | part nr. 10145023 |
| M16 female straight   |                         | part nr. 10161157 |

## EtherCAT

Prefabricated cable EtherCAT

|                            |  |                   |
|----------------------------|--|-------------------|
| M12 male/male straight 5 m |  | part nr. 10160565 |
|----------------------------|--|-------------------|

# Fieldbus accessories

## Voltage supply

prefabricated cable with screened connector M9 (female) to open-end:

|   |          |                   |
|---|----------|-------------------|
| connector M9 straight, screened 5 m cable | ES 62CB5 | part nr. 10123167 |
| connector M9 angled, screened 5 m cable   | ES 61CB5 | part nr. 10123171 |
| connector D-Sub straight, female, 5 m     |          | part nr. 10164870 |

connectors for self-fabrication:

|                                       |  |                   |
|---------------------------------------|--|-------------------|
| connector 5-pin M12 female angled     |  | part nr. 10145021 |
| connector 5-pin M9 female straight    |  | part nr. 10123144 |
| connector 9-pin D-Sub female straight |  | part nr. 10153493 |
| connector 9-pin M23 female angled     |  | part nr. 10145814 |