



features

- flashable LED ring light
- IR 875 nm
- 24 V
- cable length: 0,3 m
- diameter: 94 mm
- connector and pin assignment suitable for *VeriSens*® XC series

general data

manufacturer Falcon Illumination MV GmbH & Co.KG

illumination data

color infrared
illumination mode flashable

mechanical data

construction design ring light
 dimensions Ø 93,5 mm
 height 24,6 mm
 dimensions Ø external 87,5 mm
 luminous area Ø internal 50 mm
 cable length [m] 0,3 m
 weight ≤ 200 g
 material aluminum

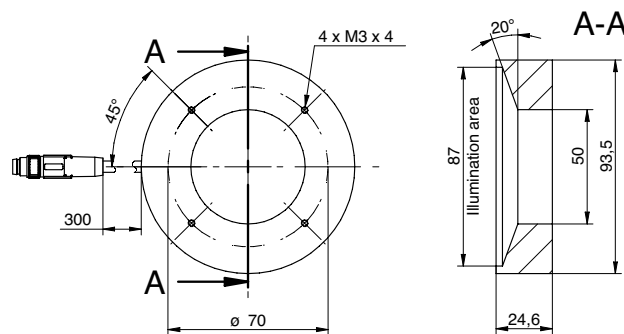
electrical data

number of poles 4
 illumination connector M8 connector
 current ≤ 0,35 A
 current at flash mode ≤ 0,88 A
 voltage at flash mode ≤ 48 V
 duty cycle 0-10%
 maximum flash duration 10 ms

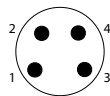
environmental conditions

operating temperature 0 ... +35 °C
 humidity 20% - 85%
 protection class IP 30

dimension drawing



pin assignment



M8 signal

1:	LED +24V (pulsing 24-48 V)
2:	N.C.
3:	LED - (GND)
4:	N.C.