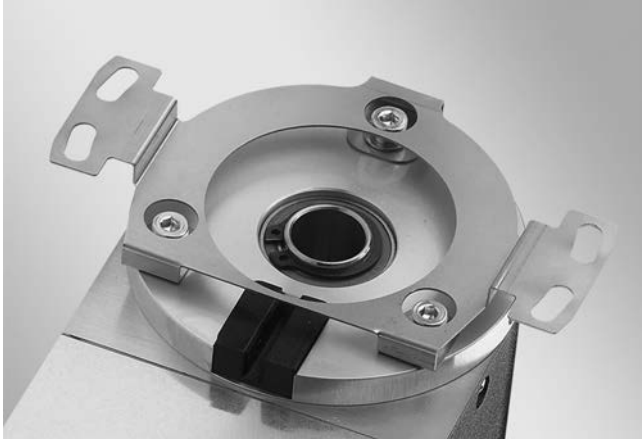


Accessories

Mounting accessories

Spring washer for encoders GX and G1



Features

– Rigid spring coupling for high-dynamic applications

Description

Fix spring coupling onto flange by help of the attached screws. Push encoder onto the drive shaft and mount spring coupling onto the contact surface.

Part number

10143969 Spring coupling for GX and G1 (Z 119.043)

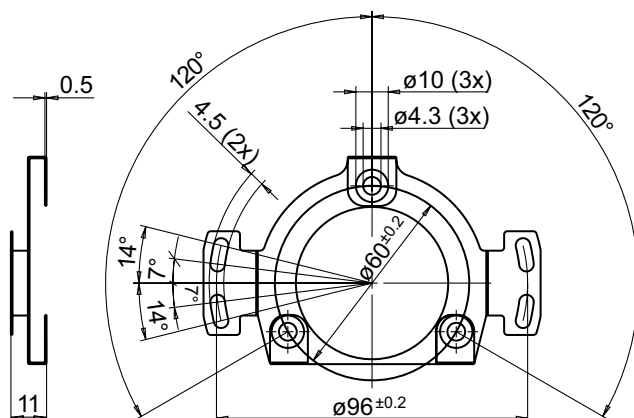
Scope of delivery

Included: spring coupling, seven screws M4 x 6 with seven lock washers

Suitable for

G110H, G110S, G1M2H, G1MMH, GXN1H, GXP1H

Dimensions



Assembly drawing

