

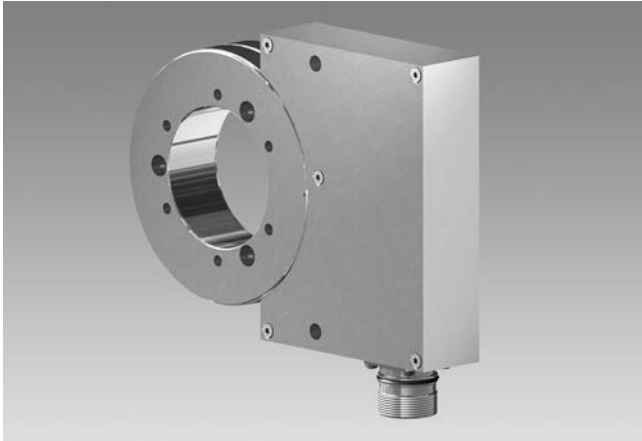
# Encoders without bearings - incremental

Sensor head with integrated FPGA signal processing, magnetic sensing

64...131072 pulses or 64...8192 sinewave cycles per turn

Through hollow shaft max.  $\varnothing 80$  mm

## MHGP 100 - HDmag



MHGP 100 - Version for axial screw mounting

### Features

- Robust and wearless
- Electronics is fully encapsulated, high protection
- Large tolerances: axial  $\pm 3$  mm, radial max. 2.2 mm
- Very compact dimensions
- Simple mounting, easy adaptation
- Several mounting possibilities
- Sensor head with integrated FPGA signal processing

### Optional

- Triple-bandage (increased operating speed)

### Technical data - electrical ratings

Interference immunity	EN 61000-6-2
Emitted interference	EN 61000-6-3
Approvals	CE, UL approval / E217823

### Technical data - electrical ratings (square-wave)

Voltage supply	4.5...30 VDC
Consumption w/o load	$\leq 160$ mA
Pulses per revolution	64...131072
Phase shift	$90^\circ \pm 10^\circ$
Duty cycle	40...60 %
Reference signal	Zero pulse, width $90^\circ$
Sensing method	Magnetic
Output frequency	$\leq 2$ MHz
Output signals	A+, B+, R+, A-, B-, R-
Output stages	HTL, TTL/RS422

### Technical data - electrical ratings (SinCos)

Voltage supply	4.5...30 VDC
Consumption w/o load	$\leq 160$ mA
Sinewave cycles per revolution	64...8192
Phase shift	$90^\circ \pm 5^\circ$
Reference signal	Zero pulse, width $90^\circ$
Sensing method	Magnetic
Output signals	A+, B+, R+, A-, B-, R-
Output stages	SinCos 1 Vpp
Difference of SinCos amplitude	$\leq 20$ mV
Harmonics typ.	-40 dB
DC offset	$\leq 20$ mV
Bandwidth	400 kHz (-3 dB)

### Technical data - mechanical design

Sensor head	FPGA signal processing
Size (flange)	$\varnothing 99,9$ mm
Shaft type	$\varnothing 16...80$ mm (through hollow shaft)
Axial tolerance	$\pm 3$ mm (wheel/head)
Radial tolerance	0.1...2.2 mm (wheel/head)
Protection DIN EN 60529	IP 67 (head), IP 68 (wheel)
Operating speed	$\leq 8000$ rpm
Materials	Housing sensing head: aluminium alloy Wheel: stainless steel (1.4104)
Operating temperature	$-20...+85$ °C
Resistance	IEC 60068-2-6 Vibration 30 g, 55-2000 Hz IEC 60068-2-27 Shock 300 g, 2 ms
Accuracy of magnetic measure	$\pm 300$ "
Connection	Flange connector M23, 12-pin

# Encoders without bearings - incremental

**Sensor head with integrated FPGA signal processing, magnetic sensing**  
**64...131072 pulses or 64...8192 sinewave cycles per turn**  
**Through hollow shaft max. ø80 mm**

**MHGP 100 - HDmag**

**Part number**

**MHGP 100**   5       N   C

|  
Pulse number/sinewave cycles - see table

|  
Voltage supply / signals

- P 4.5...30 VDC / SinCos
- R 4.5...30 VDC / square-wave (TTL)
- T 5 VDC ±5 % / square-wave (TTL)
- H 10...30 VDC / square-wave (HTL)
- U 5...30 VDC / square-wave (5 VDC = TTL / 10...30 VDC = HTL universal)

|  
Mounting type / hollow shaft (ø mm)

- Screw or shrink fit mounting  
G38, G45, G50, G55, G60, G65, G70, G75, G80
- Clamping set mounting  
Z16, Z20, Z22, Z25, Z28, Z32, Z35, Z38, Z40, Z42, Z45, Z48, Z50, Z55, Z60, Z63, Z65
- Clamping ring mounting  
K25, K30, K32, K38, K40, K45, K48, K50, K55, K56, K60, K65, K70, K75

|  
Bandaging

- B Encoder wheel standard bandage
- T Encoder wheel with triple-bandage

**Pulse number/sinewave cycles**

64	512	4096	32768
128	1024	8192	65536
256	2048	16384	131072

**Accessories**

**Connectors and cables**

HEK 8      Sensor cable for encoders

Maximum sinewave cycles 8192 for SinCos output.

# Encoders without bearings - incremental

Sensor head with integrated FPGA signal processing, magnetic sensing

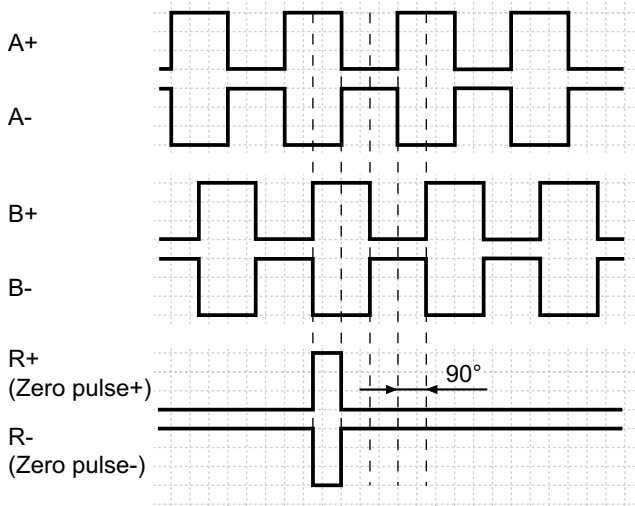
64...131072 pulses or 64...8192 sinewave cycles per turn

Through hollow shaft max.  $\varnothing 80$  mm

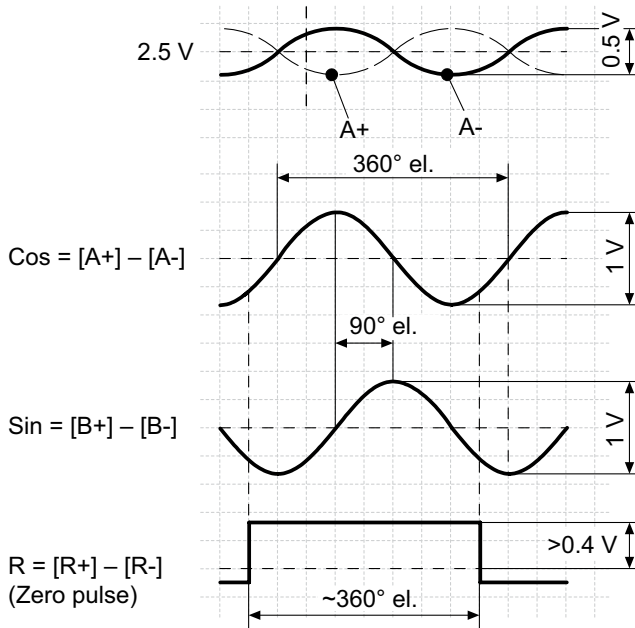
## MHGP 100 - HDmag

### Output signals

Version with square-wave signals HTL oder TTL at positive rotating direction



Version with SinCos signals at positive rotating direction

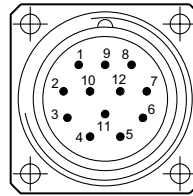


### Terminal assignment

#### View A

Flange connector M23, 12-pin, male contacts, CCW

Pin	Assignment
1	B-
2	Do not use
3	R+ (Zero pulse)
4	R- (Zero pulse inv.)
5	A+
6	A-
7	Do not use
8	B+
9	Do not use
10	⊥
11	Do not use
12	+UB





# Encoders without bearings - incremental

Sensor head with integrated FPGA signal processing, magnetic sensing

64...131072 pulses or 64...8192 sinewave cycles per turn

Through hollow shaft max.  $\varnothing 80$  mm

MHGP 100 - HDmag

## Dimensions

Version for clamping ring mounting

