

Incremental encoders

With through hollow shaft

100...5000 pulses per revolution

ExEIL580-T



ExEIL580-T with through hollow shaft

Features

- Size \varnothing 58 mm
- Precise optical sensing
- Output signal level TTL or HTL
- Through hollow shaft, \varnothing 8...15 mm
- Connection radial or tangential
- Pulses per revolution up to 5000
- High resistance to shock and vibrations
- Option 0122, Explosion protection zone 22

Technical data - electrical ratings

Voltage supply	5 VDC \pm 5 % 8...30 VDC 4.75...30 VDC
Reverse polarity protection	Yes
Short-circuit proof	Yes (HTL) Yes (TTL, max. 1 s and 1 signal)
Consumption w/o load	\leq 70 mA
Pulses per revolution	100...5000
Phase shift	$90^\circ \pm 10^\circ$
Duty cycle	40...60 %
Reference signal	Zero pulse, width $90^\circ \pm 10\%$
Sensing method	Optical
Output frequency	\leq 300 kHz (TTL) \leq 160 kHz (HTL)
Output signals	A+, B+, R+, A-, B-, R-
Output stages	TTL/RS422 HTL/push-pull
Interference immunity	DIN EN 61000-6-2
Emitted interference	DIN EN 61000-6-3
Approval	UL 508 / CSA 22.2

Technical data - mechanical design

Size (flange)	\varnothing 58 mm
Shaft type	\varnothing 8...15 mm (through hollow shaft)
Protection DIN EN 60529	IP 65
Operating speed	\leq 6000 rpm (+20 °C) \leq 4500 rpm (+40 °C) \leq 2500 rpm (+60 °C)
Starting torque	\leq 0.025 Nm (+20 °C)
Materials	Housing: aluminium die-cast Flange: aluminium
Ambient temperature	-20...+60 °C
Relative humidity	90 % non-condensing
Resistance	DIN EN 60068-2-6 Vibration 30 g, 10-2000 Hz DIN EN 60068-2-27 Shock 250 g, 6 ms
Explosion protection	II 3 D Ex tc IIIC T135°C Dc X (dust): see special conditions "X"
Connection	Flange connector M12, 8-pin Flange connector M23, 12-pin Cable
Weight approx.	300 g

Incremental encoders

With through hollow shaft
100...5000 pulses per revolution

ExEIL580-T

Part number

ExEIL580- T . 5 . .F/ 0122

Option

0122 ATEX Zone 22

Pulse number - see table

Voltage supply / output stages

- E 5 VDC, TTL/RS422, 6 channel
- H 8...30 VDC, TTL/RS422, 6 channel
- N 8...30 VDC, HTL/push-pull, 6 channel
- Q 4.75...30 VDC, HTL/push-pull, 6 channel

Connection

- R Cable radial, 1 m
- L Cable radial, 2 m
- F Flange connector M23, 12-pin, radial, male contacts, CCW
- B Flange connector M12, 8-pin, radial, male, CCW
- P Cable tangential, 1 m
- Q Cable tangential, 2 m

Protection

5 IP 65

Specification hollow shaft

- | | | |
|----|--|---|
| 08 | ø8 mm, clamping ring at A side | U4 ø1/2" (12.7 mm), clamping ring at A side |
| U3 | ø3/8" (9,52 mm), clamping ring at A side | 14 ø14 mm, clamping ring at A side |
| 10 | ø10 mm, clamping ring at A side | 15 ø15 mm, clamping ring at A side |
| 12 | ø12 mm, clamping ring at A side | |

Flange

- N Without stator coupling
- T With stator coupling ø63 mm
- P Torque pin 3 mm, axial/radial

Shaft type

T Through hollow shaft

Pulse number

100	300	720	1250	2500
120	360	800	1440	3000
150	400	900	1500	3600
200	500	1000	1800	4000
250	512	1024	2000	4096
256	600	1200	2048	5000

Incremental encoders

With through hollow shaft

100...5000 pulses per revolution

ExEIL580-T

Accessories

Connectors and cables

10127844	Connection cable 2 m shielded with female connector M12, 8-pin, straight (ESG 34FH0200G)
10129332	Connection cable 5 m shielded with female connector M12, 8-pin, straight (ESG 34FH0500G)
10129333	Connection cable 10 m shielded with female connector M12, 8-pin, straight (ESG 34FH1000G)
11053961	Connection cable 2 m shielded with female connector M12, 8-pin, angled (ESW 33FH0200G)
11053962	Connection cable 5 m shielded with female connector M12, 8-pin, angled (ESW 33FH0500G)
10170054	Connection cable 10 m shielded with female connector M12, 8-pin, angled (ESW 33FH1000G)
11095302	Connection cable 1 m shielded with female connector M23, 12-pin
11100408	Connection cable 2 m shielded with female connector M23, 12-pin
11100430	Connection cable 5 m shielded with female connector M23, 12-pin
11100431	Connection cable 10 m shielded with female connector M23, 12-pin

Mounting accessories

11066081	Torque arm, 1-arm, bolt circle $\varnothing 82$ mm, mounting M4 (mounting kit 003)
11066083	Torque arm, 1-arm, bolt circle $\varnothing 74...94$ mm, mounting M4/M5 (mounting kit 006)
11073119	Torque arm, 1-arm, bolt circle $\varnothing 65.5...281$ mm, mounting M4, can be cut to length (mounting kit 021)
11067367	Torque arm, 1-arm, bolt circle $\varnothing 74...94$ mm, mounting M6 (mounting kit 028)
11113210	Torque arm, 1-arm, bolt circle $\varnothing 63...94$ mm, mounting M4 (mounting kit 047)
11129153	Torque arm, 1-arm open, bolt circle $\varnothing 82...108$ mm, mounting M4 (mounting kit 200)
11100198	Stator coupling, 2-armed, bolt circle $\varnothing 63$ mm, mounting M3 (mounting kit 046)
11106627	Fan cover clip 8 mm
11094674	Clamping ring 12/31/ 8 M3 8.8 for EIL580 hollow shaft $\varnothing 8...10$ mm for clamping at A or B side
11094675	Clamping ring 17/31/ 8 M3 8.8 for EIL580 hollow shaft $\varnothing 12...15$ mm for clamping at A side

Mounting accessories

11116921	Insulating sleeve $\varnothing 10$ mm/ $\varnothing 12$ mm/25 mm long
11116923	Insulating sleeve $\varnothing 12$ mm/ $\varnothing 14$ mm/25 mm long

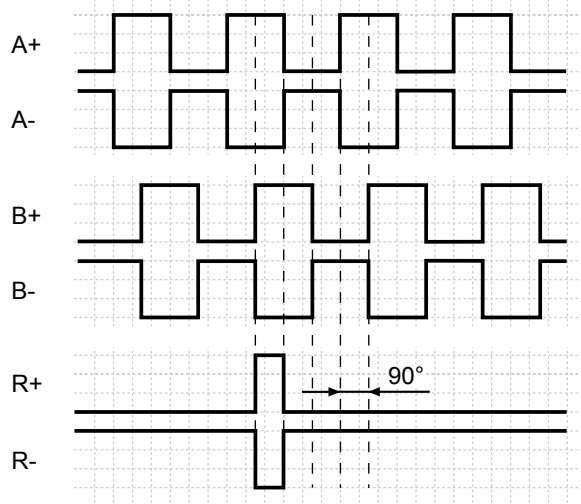
Incremental encoders

With through hollow shaft
100...5000 pulses per revolution

ExEIL580-T

Output signals

Clockwise rotating direction when looking at flange.



Trigger level

Outputs	TTL/RS422
Output level High	$\geq 2.5 \text{ V}$
Output level Low	$\leq 0.5 \text{ V}$
Load	$\leq 20 \text{ mA}$

Outputs	HTL/Push-pull
Output level High	$\geq U_B - 3 \text{ V}$
Output level Low	$\leq 1.5 \text{ V}$
Load	$\leq 20 \text{ mA}$

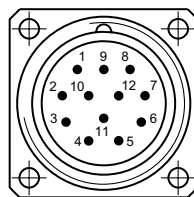
Terminal assignment

Flange connector M23, 12-pin / cable

Pin	Core color	Assignment
1	pink	B-
2	–	–
3	blue	R+
4	red	R-
5	green	A+
6	yellow	A-
7	–	–
8	grey	B+
9	–	–
10	white	GND
11	–	–
12	brown	UB

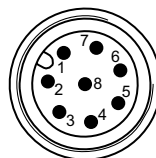
Screen: Connected to housing

Cable data: PVC, [4x2x0.14 mm²], bending radius >32.5 mm, outer diameter 6.5 mm



Flange connector M12, 8-pin

Pin	Assignment
1	GND
2	UB
3	A+
4	A-
5	B+
6	B-
7	R+
8	R-



Incremental encoders

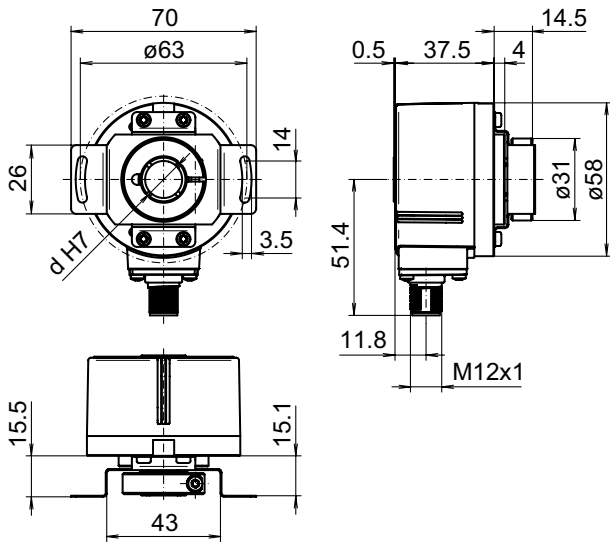
With through hollow shaft

100...5000 pulses per revolution

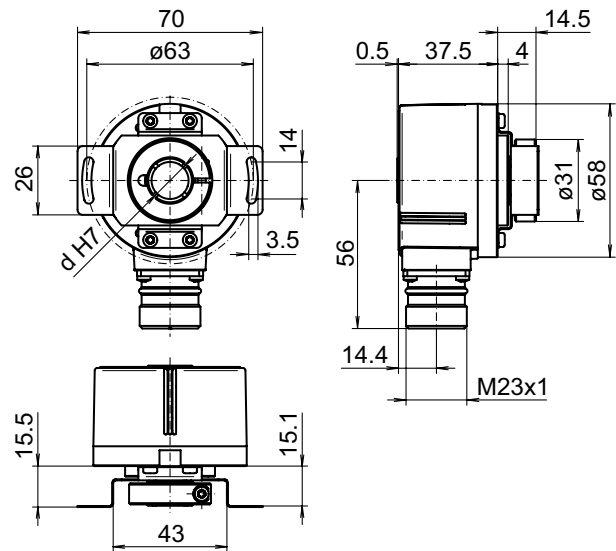
ExEIL580-T

Dimensions

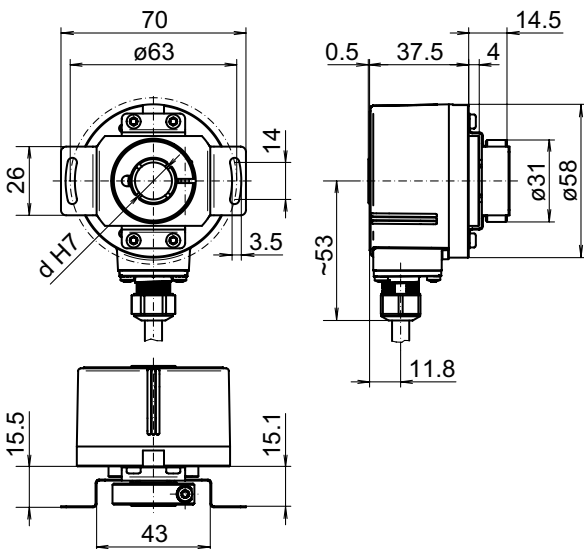
Clamping ring at A-side:
Through hollow shaft, flange connector M12 radial



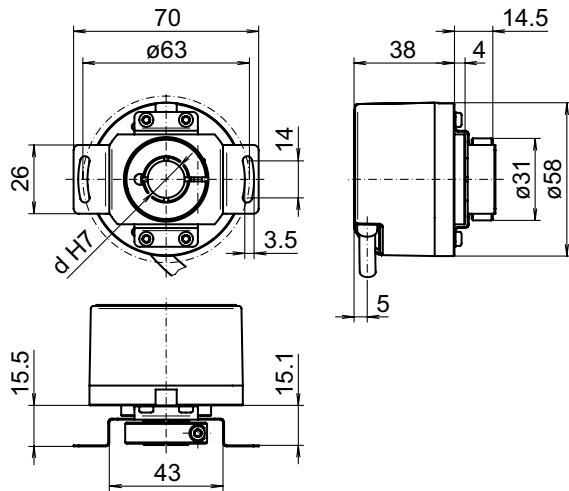
Clamping ring at A-side:
Through hollow shaft, flange connector M23 radial



Clamping ring at A-side:
Through hollow shaft, cable radial



Clamping ring at A-side:
Through hollow shaft, cable tangential



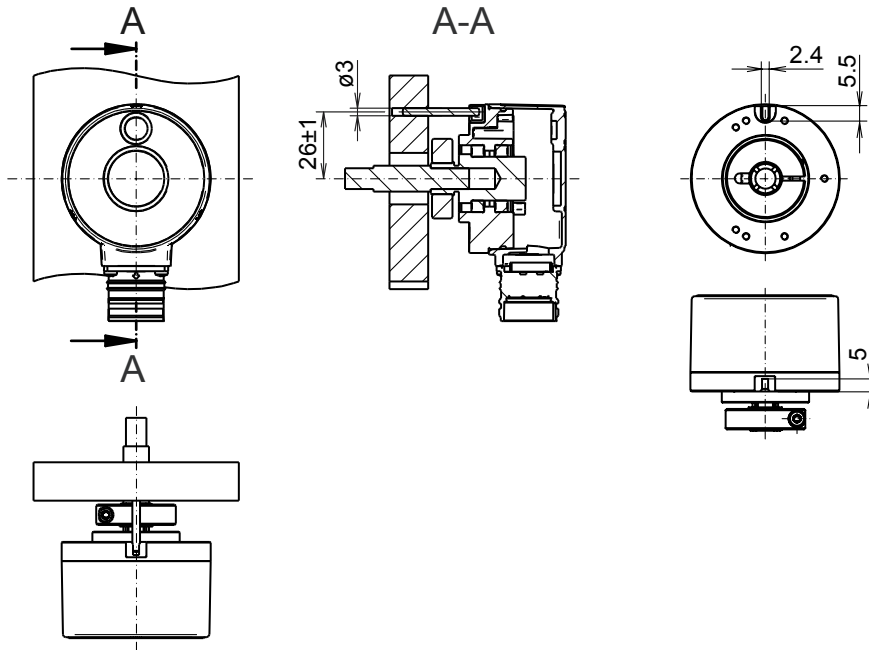
Incremental encoders

With through hollow shaft
100...5000 pulses per revolution

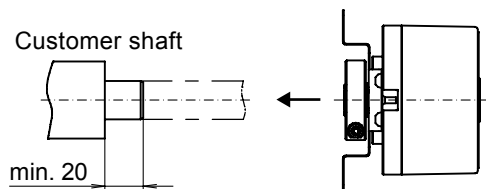
ExEIL580-T

Dimensions

Pin torque support, axial, clamping ring at A-side



Clamping ring at A-side: Through hollow shaft



Incremental encoders

With through hollow shaft

100...5000 pulses per revolution

ExEIL580-T

Explosion protection

⊕ II 3 D Ex tc III C T135°C Dc X (dust)

General- and Special conditions „X“:

Only put the device into operation if ...

- all necessary precautions have been taken by the operator to make sure device and connector are fully protected against mechanical impacts or shocks in compliance with EN 60079-0, section 26.4.2 (Special conditions „X“).
- the connection is mechanically or electrically secured to prevent any interrupt while the contact is live (Special conditions „X“).
- it has been ensured the electrical connection of product variants with cable outlet or cable couplings is outside zone 22 (Special conditions „X“).
- it has been ensured the maximum operating speed in relation to the ambient temperature is within the specifications on the table „Maximum rotation speed below“ (Special conditions „X“).
- the specifications on the product label match the on-site conditions for use in hazardous areas (EX) (device group, category, zone, temperature class resp. maximum surface temperature).
- the specifications on the product label comply with the prevailing grid conditions.
- the device shows no visible trace of damage (resulting from transport or storage), and
- it has been ensured no explosive atmosphere, oils, acids, gases, vapors, radiation etc. are present during installation.

Observe standard EN 60079-14 for installation and commissioning.

Device operation must observe the installation and operating instructions. The intended use and application of the device comes under the relevant legislation as well as applicable directives and standards.

Maximum rotation speed

	ambient temperature	rotation speed
solid shaft	20 °C	≤ 12000 rpm
	40 °C	≤ 11000 rpm
	60 °C	≤ 8000 rpm
through hollow shaft	20 °C	≤ 6000 rpm
	40 °C	≤ 4500 rpm
	60 °C	≤ 2500 rpm
blind hollow shaft	20 °C	≤ 8000 rpm
	40 °C	≤ 8000 rpm
	60 °C	≤ 5000 rpm