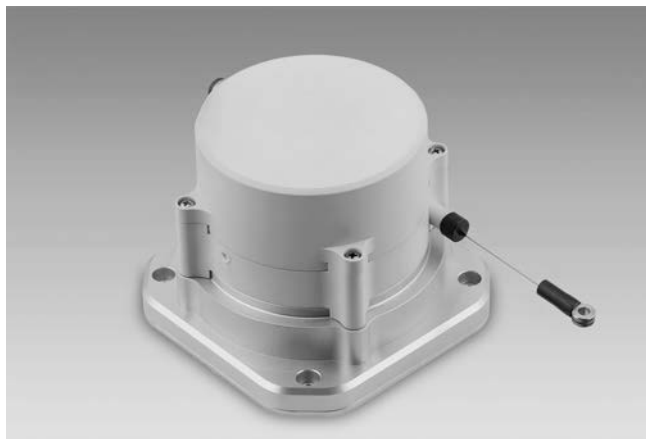


Cable transducer

Analog output

Measuring length absolute up to 12 m

GCA12 - analog



GCA12 analog

Technical data - electrical ratings

Voltage supply	8...30 VDC 12...30 VDC
Reverse polarity protection	Yes
Short-circuit proof	Yes
Consumption typ.	30 mA (24 VDC, w/o load, current output) 10 mA (24 VDC, w/o load, voltage output)
Initializing time	≤500 ms after power on
Interface	Analog 0...10 V / 0.5...4.5 V / 4...20 mA
Load resistor	Between Out/0 V ≥3 kΩ / voltage output 270 Ω at 10 VDC (500 Ω at 15 VDC) / current output
Function	Linear position feedback
Resolution	Essentially infinite
Linearity	±1,5 % FS
Absolute accuracy	±2 % FS
Sensing method	Potentiometer
Interference immunity	DIN EN 61000-6-2
Emitted interference	DIN EN 61000-6-3

Features

- Analog interface
- Potentiometer sensing measuring method
- Operating temperature -40...+85 °C
- Protection IP 65
- Flange connector M12 or cable
- Removable stickers for drainage
- Isolation voltage 3 kV

Optional

- Redundant potentiometer position sensing

Technical data - mechanical design

Protection DIN EN 60529	IP 65 (housing, drainage holes closed), IP 54 (cable inlet)
Materials	Cable: Stainless steel cable AISI 316 coated with nylon PA12 Housing: plastic
Operating temperature	-40...+85 °C
Measuring length	12 m
Cable diameter	0.7 mm
Cable fastening	Eyelet Height: 5 mm Internal diameter: 5 mm Outer diameter: 10 mm
Pull-in force	>2.5 N
Pull-out force	≤8 N
Relative humidity	95 % non-condensing
Resistance	DIN EN 60068-2-6 Vibration 10 g, 10-2000 Hz DIN EN 60068-2-27 Shock 50 g, 11 ms
Weight approx.	1630 g
Connection	Cable 2 m, radial Flange connector M12, 5-pin Flange connector M12, 8-pin
Instruction	Please consider the assembly instructions

Cable transducer

Analog output

Measuring length absolute up to 12 m

GCA12 - analog

Part number

GCA12-PP

	.RC		.		0.A
--	-----	--	---	--	-----

Voltage supply / interface

V3 8...30 VDC / Analog 0.5...4.5 VDC

V6 12...30 VDC / Analog 0...10 VDC

C0 12...30 VDC / Analog 4...20 mA

R3 8...30 VDC / Analog 0.5...4.5 VDC redundant

R6 12...30 VDC / Analog 0...10 VDC redundant

R0 12...30 VDC / Analog 4...20 mA redundant

Connection

L Cable radial, 2 m

N Flange connector M12, 5-pin, radial, male contacts, CCW

B Flange connector M12, 8-pin, radial, male contacts, CCW redundant

Measuring range

100 10 m

120 12 m

Cable transducer

Analog output

Measuring length absolute up to 12 m

GCA12 - analog

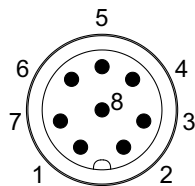
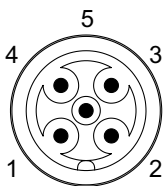
Terminal assignment

Flange connector M12, 5-pin

Male	Assignment	Description
Pin 1	0 V	Ground connection relating to +Vs
Pin 2	+Vs	Voltage supply
Pin 3	Uout/lout	Output
Pin 4	n.c.	Do not use
Pin 5	n.c.	Do not use

Flange connector M12, 8-pin, redundant version

Male	Assignment	Description
Pin 1	0 V1	Ground connection relating to +Vs1
Pin 2	+Vs1	Voltage supply 1
Pin 3	Uout1/lout1	Output 1
Pin 4	0 V2	Ground connection relating to +Vs2
Pin 5	+Vs2	Voltage supply 2
Pin 6	Uout2/lout2	Output 2
Pin 7	n.c.	Do not use
Pin 8	n.c.	Do not use



Flange connector M12
male, 5-pin (male)

Flange connector M12
male, 8-pin (male)

Cable

Core colour	Assignment	Description
white	0 V	Ground connection relating to +Vs
brown	+Vs	Voltage supply
green	Uout/lout	Output

Cable data: 3 x 0.5 mm², 2 m

Cable redundant version

Core colour	Assignment	Description
white	0 V1+2	Ground connection relating to +Vs1 and +Vs2
brown	+Vs1	Voltage supply 1
green	Uout1/lout1	Output 1
yellow	+Vs2	Voltage supply 2
grey	Uout2/lout2	Output 2

Cable data: 5 x 0.5 mm², 2 m

Cable transducer

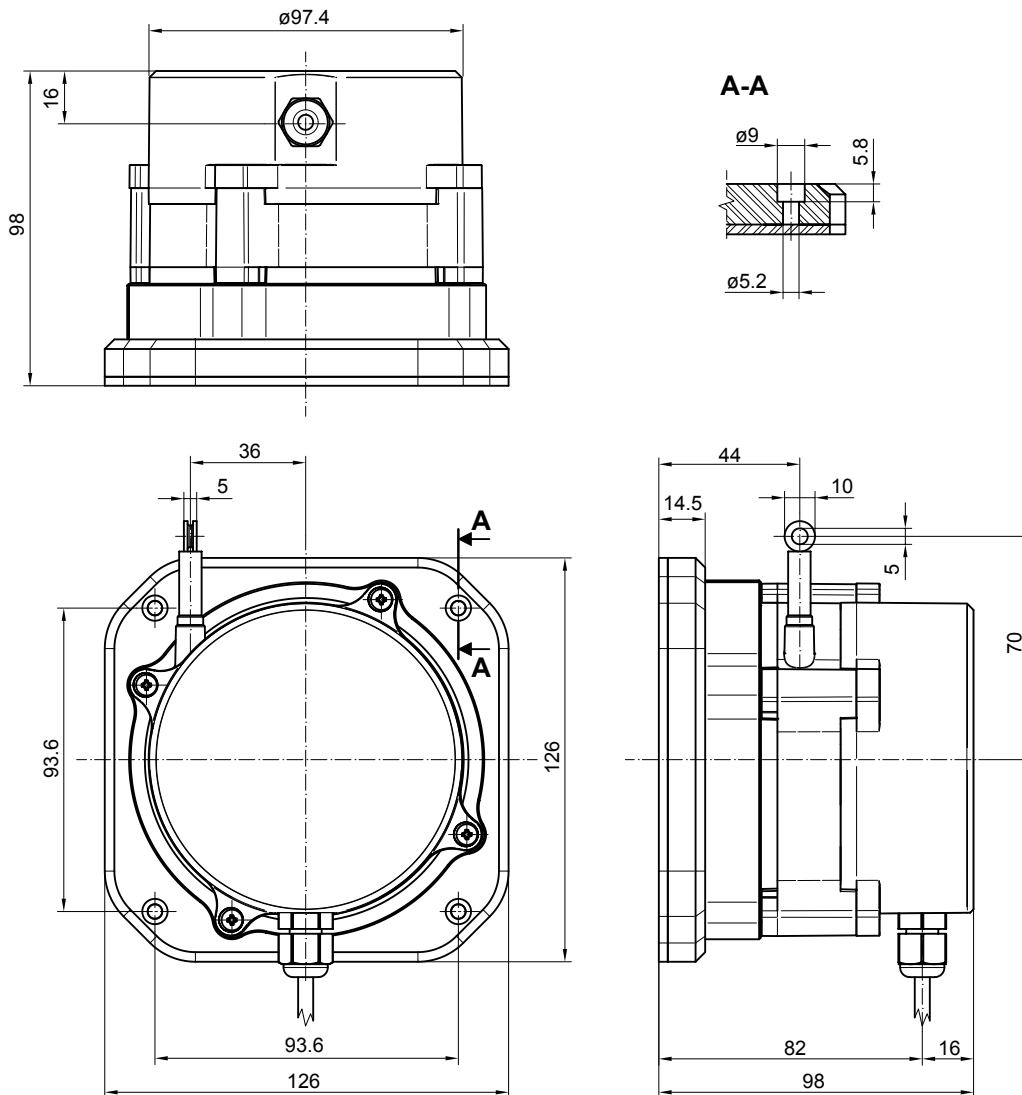
Analog output

Measuring length absolute up to 12 m

GCA12 - analog

Dimensions

GCA12 with cable



Cable transducer

Analog output

Measuring length absolute up to 12 m

GCA12 - analog

Dimensions

GCA12 with flange connector (male) M12

