

**overview**

- 2048 × 1536 px
- Sony IMX252
- 1/1.8" CMOS
- 215 fps
- 10 GigE
- available



**technical data**

**sensor information**

sensor	Sony IMX252
resolution	2048 × 1536 px
exposure time	0,001 ... 60000 ms
pixel size	3.45 × 3.45 µm
shutter type	Global shutter
sensor type	1/1.8" CMOS

**acquisition formats**

image formats, interface frame rate max.	Full Frame, 2048 × 1536 px, max. 215 fps Binning 2×2, 1024 × 768 px, max. 215 fps Binning 2×1, 1024 × 1536 px, max. 215 fps Binning 1×2, 2048 × 768 px, max. 215 fps
image formats, acquisition frame rate max. (Burst Mode)	Full Frame, 2048 × 1536 px, max. 215 fps

pixel formats	BayerRG8 BayerRG10 BayerRG12 BayerRG12 Packed Mono8 Mono10 Mono12 Mono12 Packed RGB8 BGR8
---------------	--

**image preprocessing**

analog controls	Gain (0 ... 48 dB) Offset (0 ... 255 LSB 12 Bit)
color models	Mono Raw Bayer RGB BGR

**camera features**

synchronization	free running trigger
trigger sources	Hardware software ActionCommand
trigger delay	0 ... 2 sec, tracking and buffering of up to 256 trigger signals
internal image buffer	1024 MB 307 images (Trigger Mode) 1 image (Free Running Mode)

**interfaces and connectors**

data interface	10 Gigabit Ethernet, Transfer rate 10000 Mbits/sec, Gigabit Ethernet, Transfer rate 1000 Mbits/sec, Fast Ethernet, Transfer rate 100 Mbits/sec, Connector: M12 / 8-pol x-coded (SACC-CI-M12FS-8CON-L180-10G)
process interface	M12 / 12 pins a-coded (SACC-CI-M12MS-12CON-L180)
power supply	via M12/12 pins a-coded

**mechanical data**

lens mount	C-mount
------------	---------

**technical data**

**mechanical data**

width	60 mm
height	60 mm
depth	99,7 mm
weight	≤ 485 g
material	aluminum

**electrical data**

voltage supply range +Vs	12 ... 24 V DC (external power supply)
power consumption	approx. 10,3 W @ 12 VDC and 215 fps

**non-volatile memory**

flash memory size	128 kB
-------------------	--------

**environmental conditions**

operating temperature	0 ... +65 ° @ T = measurement point
humidity	10 ... 90 % (non-condensing)

**environmental conditions**

protection class	IP 40 IP 54 (with mounted tube and cable) IP 65 (with mounted tube and cable) IP 67 (with mounted tube and cable)
------------------	--

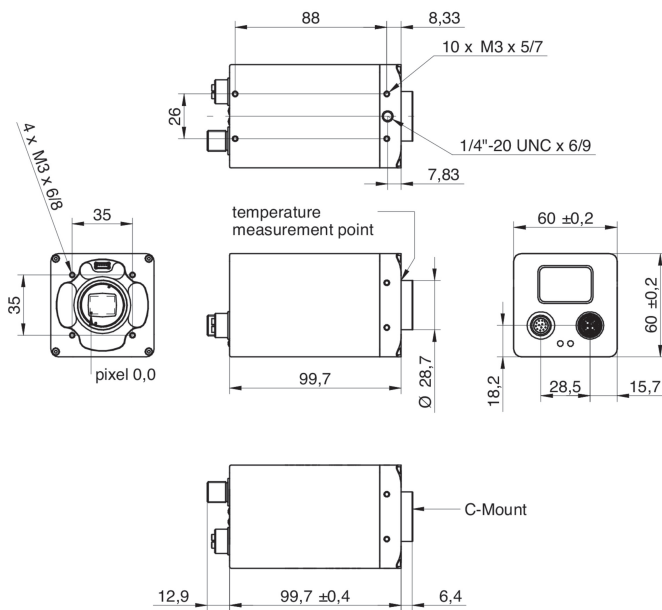
**digital I/Os**

lines	2 input lines 4 output lines with pulse width modulation (PWM) (max. 48 V / max. 2,5 A) RS232
-------	---

**conformity**

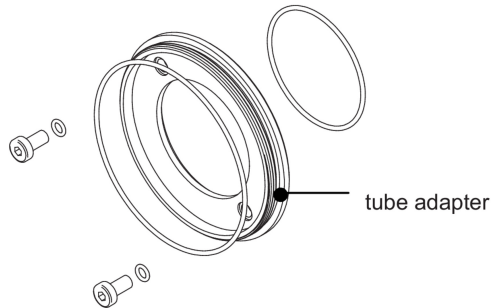
conformity	CE RoHS EAC
------------	-------------------

**dimension drawing**

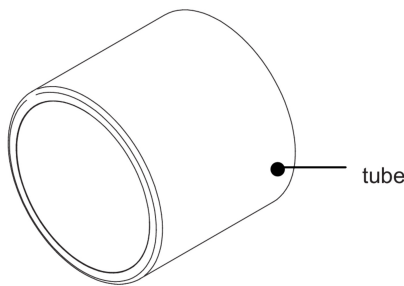


**Principle**

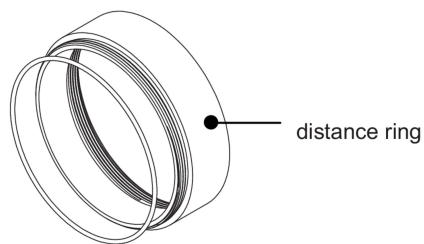
Optional accessories for protection class IP65/67:



- tube adapter
- Ø 49,5 mm, hard-anodized, incl. sealing and screws (VCXG.I 11185373)
  - Ø 65 mm, hard-anodized, incl. sealing and screws (VCXG.I 11185377; VLXT 11193125)



- tube
- Ø 49,5 mm, length 44 mm, hard-anodized, cover glass PMMA (11185370)
  - Ø 65 mm, length 58 mm, hard-anodized, cover glass PMMA (11185374)
  - Ø 49,5 mm, length 44 mm, hard-anodized, tempered laminated safety glass (11195425)
  - Ø 65 mm, length 58 mm, hard-anodized, tempered laminated safety glass (11195426)



- distance ring
- Ø 49,5 mm, length 12 mm, hard-anodized, incl. sealing (11185371)
  - Ø 49,5 mm, length 6 mm, hard-anodized, incl. sealing (11185372)
  - Ø 65 mm, length 12 mm, hard-anodized, incl. sealing (11185375)
  - Ø 65 mm, length 6 mm, hard-anodized, incl. sealing (11185376)
  - Ø 65 mm, length 36 mm, hard-anodized, incl. sealing (111988906)