

# Accessories

## Mounting accessories

### Spring washer K 50, shaft $\varnothing 11...16$ mm



#### Features

- High quality torsionally stiff and backlash free coupling
- Compensating of mounting errors
- Balanced torsional rigidity (torsional spring constant)
- Protection against shaft currents with an insulated hub on non-drive end ( $\varnothing 11$  H7)
- Additional key possible

#### Part number

K 50 Spring washer coupling for solid shaft  $\varnothing 11...16$  mm

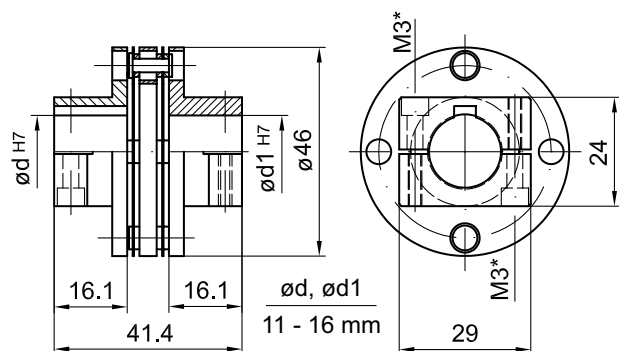
#### Suitable for

Encoders with solid shaft  $\varnothing 11...16$  mm

#### Description

Spring washer coupling, which combines the necessary torsional stiffness with the ability to compensate for axial displacement which occurs especially through heat expansion of the drive and the play backlash of the ball bearings.

#### Dimensions

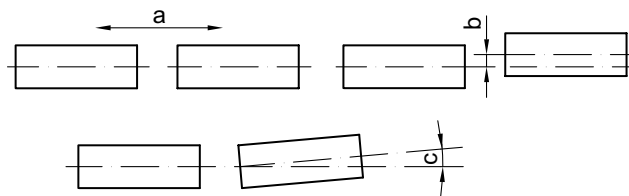


\* Max. tightening torque:  
 $M_t = 100$  Ncm (plastic side)  
 $M_t = 2-3$  Nm (metal side)

#### Technical data

Mounting type	For shaft $\varnothing 11...16$ mm
Operating speed	$\leq 13000$ rpm (highspeed)
Moment of inertia	$258 \cdot 10^{-3}$ kgcm <sup>2</sup>
Torsional rigidity	1400 Nm/rad
Operating torque	$\leq 8$ Nm
Maximum torque	10 Nm
Admissible axial movement	$\pm 0.7$ mm ( $\pm 0.3$ mm at version with insulated hub version)
Admissible parallel misalignment	$\pm 0.15$ mm ( $\pm 0.05$ mm at version with insulated hub version)
Admissible angular error	$\pm 1^\circ$
Weight approx.	95 g
Material	Spring disks: X12 CrNi 17 7

#### Assembly drawing



a = Admissible axial movement  
 b = Admissible parallel misalignment  
 c = Admissible angular error