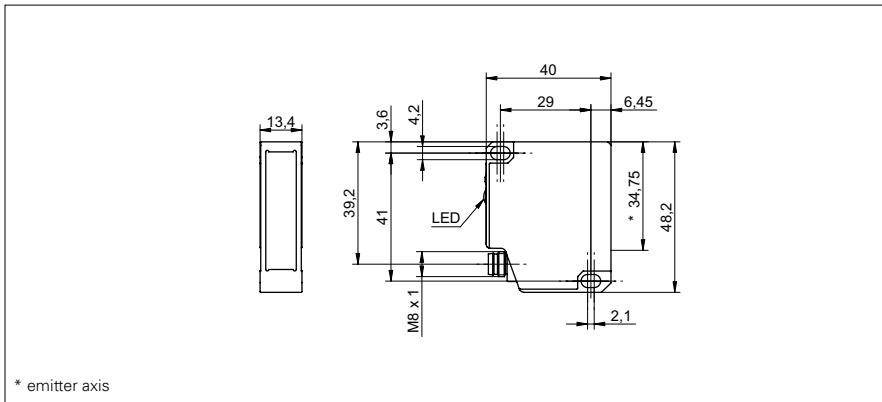


Distance sensors

OADM 13S7580/S35A

dimension drawing



general data

measuring distance Sd	50 ... 550 mm
adjustment	RS 485
power on indication	LED green
resolution	0,09 ... 1,15 mm
linearity error	± 0,3 ... ± 3,5 mm
light source	pulsed red laser diode
wave length	650 nm
laser class	2
beam type	line
beam width	2 mm
beam height	4 ... 13 mm
alarm indicator	LED red
temperature drift	< 0,07 % Sde/K

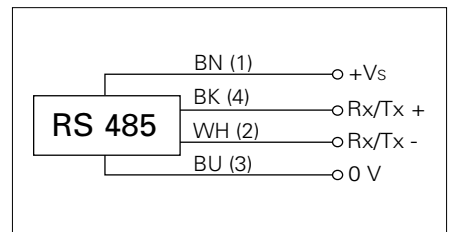
photo



electrical data

response time / release time	< 2 ms
voltage supply range +Vs	12 ... 28 VDC
current consumption max. (no load)	80 mA
output circuit	RS 485
baud rate	38400, adjustable
short circuit protection	yes
reverse polarity protection	yes, Vs to GND

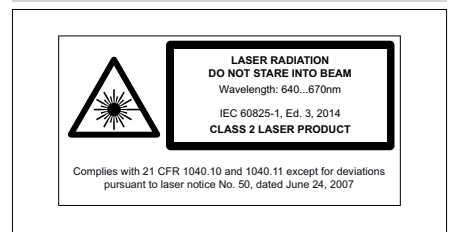
connection diagram



mechanical data

width / diameter	13,4 mm
height / length	48,2 mm
depth	40 mm
type	rectangular
housing material	aluminum
front (optics)	glass
connection types	connector M8 4 pin

laser warning



- For objects with a reflectivity < 10 % the response time/release time is increased automatically up to max. 5 ms.

Distance sensors**OADM 13S7580/S35A****ambient conditions**

ambient light immunity	< 100 kLux
operating temperature	0 ... +50 °C
protection class	IP 67