

Incremental encoders

Blind hollow shaft $\varnothing 10$ to $\varnothing 14$ mm
200...6000 pulses per revolution

ITD 21 A 4 Y36



ITD 21 A 4 Y36 with blind hollow shaft

Features

- Encoder with blind hollow shaft $\varnothing 10...14$ mm
- Max. 6000 pulses per revolution
- Optical sensing method
- Mounting by torque support
- TTL or HTL output signals
- Cable output radial
- High protection

Optional

- Cable with connector

Technical data - electrical ratings

Voltage supply	5 VDC $\pm 5\%$ 8...30 VDC
Reverse polarity protection	Yes
Consumption w/o load	≤ 100 mA
Pulses per revolution	200...6000
Reference signal	Zero pulse, width 90°
Sensing method	Optical
Output frequency	≤ 300 kHz (TTL) ≤ 160 kHz (HTL)
Output signals	A, B, N + inverted
Output stages	TTL linedriver (short-circuit proof) HTL push-pull (short-circuit proof)
Interference immunity	DIN EN 61000-6-2
Emitted interference	DIN EN 61000-6-3

Technical data - mechanical design

Size (flange)	$\varnothing 58$ mm
Shaft type	$\varnothing 10$ mm (blind hollow shaft) $\varnothing 12$ mm (blind hollow shaft) $\varnothing 14$ mm (blind hollow shaft)
Mounting kit	006
Protection DIN EN 60529	IP 65
Operating speed	≤ 8000 rpm ≤ 5000 rpm IP 65 ($>70^\circ\text{C}$)
Starting torque	≤ 0.01 Nm ($+20^\circ\text{C}$)
Materials	Housing: aluminium, black, powder-coated Shaft: stainless steel
Operating temperature	$-20...+70^\circ\text{C}$ $-20...+100^\circ\text{C}$
Relative humidity	90 % non-condensing
Resistance	DIN EN 60068-2-6 Vibration 10 g, 55-2000 Hz DIN EN 60068-2-27 Shock 100 g, 11 ms
Connection	Cable 1 m
Weight approx.	280 g

Incremental encoders

Blind hollow shaft $\varnothing 10$ to $\varnothing 14$ mm
200...6000 pulses per revolution

ITD 21 A 4 Y36

Part number

ITD 21 A 4 Y36

		NI	KR1			IP65	006
--	--	----	-----	--	--	------	-----

Mounting kit
006 Mounting kit 006

Protection
IP65 IP 65

Blind hollow shaft
10 $\varnothing 10$ mm
12 $\varnothing 12$ mm
14 $\varnothing 14$ mm

Operating temperature
S -20...+70 °C
E -20...+100 °C

Connection
KR1 Cable 1 m, radial

Output signals
NI A, A inv, B, B inv, 0, 0 inv

Voltage supply / signals
T 5 VDC / TTL level, linedriver
H 8...30 VDC / HTL level, push-pull
R 8...30 VDC / TTL level, linedriver

Pulse number - see table

Pulse number

200	500	1000	1800	4000
250	512	1024	2000	4096
256	600	1200	2048	5000
300	720	1250	2500	6000
360	800	1440	3000	
400	900	1500	3600	

Incremental encoders

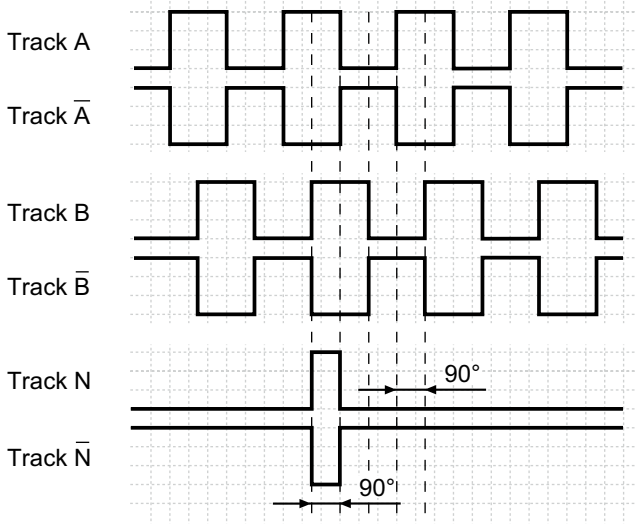
Blind hollow shaft $\varnothing 10$ to $\varnothing 14$ mm
200...6000 pulses per revolution

ITD 21 A 4 Y36

Output signals

Clockwise rotation when looking at the mounting side.

NI-Output signals



Terminal assignment

Core colour	Assignment
brown	Track A
green	Track A inv.
grey	Track B
pink	Track B inv.
red	Track N
black	Track N inv.
brown 0,5 mm ²	UB
white 0,5 mm ²	GND
blue	UB-Sense
white	GND-Sense
transparent	Shield/Housing

Cable with 2 brown and 2 white wires:
PUR, [5x2x0.14 mm² + 2x0.5 mm²], bending radius > 60 mm,
outer diameter 7.5 mm \pm 0.2 mm

Encoder with connector on cable end after 1 March 2015

Core colour	Assignment
green	Track A
brown	Track A inv.
grey	Track B
black	Track B inv.
pink	Track N
white	Track N inv.
red	UB
blue	GND
yellow	UB-Sense
violet	GND-Sense
transparent	Shield/Housing

Cable with violet wire:
PUR, [5x2x0.14 mm²], bending radius > 60 mm,
outer diameter 7 mm \pm 0.2 mm

Trigger level

Outputs	Linedriver
Output level High	≥ 2.4 V
Output level Low	≤ 0.5 V
Load	≤ 70 mA

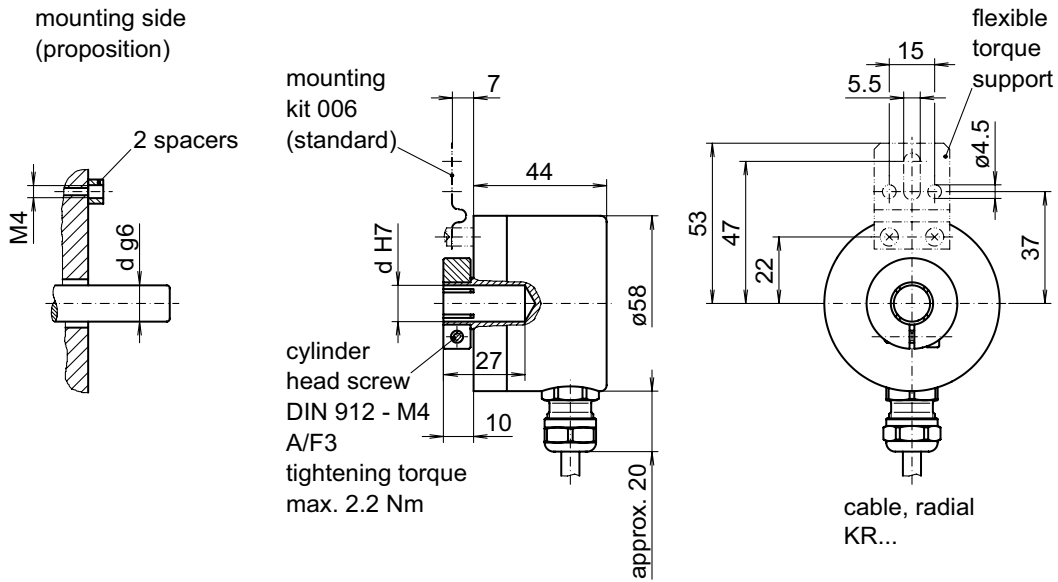
Outputs	Push-pull short-circuit proof
Output level High	$\geq UB - 3$ V
Output level Low	≤ 1.5 V
Load	≤ 70 mA

Incremental encoders

Blind hollow shaft $\varnothing 10$ to $\varnothing 14$ mm
200...6000 pulses per revolution

ITD 21 A 4 Y36

Dimensions



029- 1 Y36