



Quick Start Guide
LXG cameras (Gigabit Ethernet)

Latest software version and technical documentation are available at:
vt.baumer.com

Product Specification

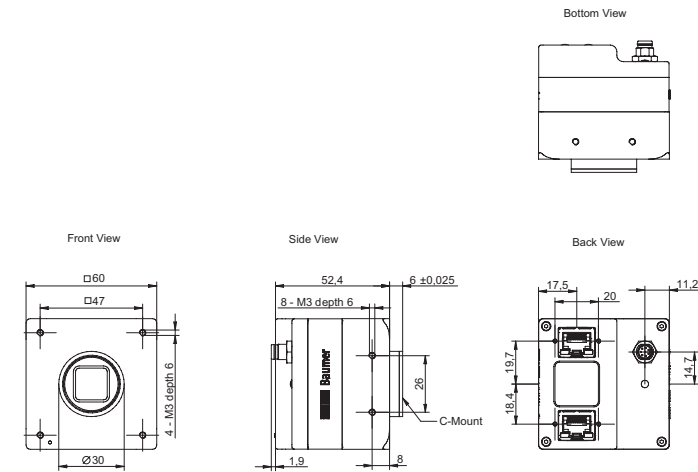
LXG cameras – Extremely high resolution and speed

- Dual Gigabit Ethernet progressive scan CMOS camera
- GigE Vision™ standard compliant
- Binning and true partial scan function (ROI) for increased frame rates
- High Dynamic Range (HDR) image acquisition
- External synchronization via industrial compliant process interface (trigger / flash)
- Global shutter architecture for minimized motion blur
- Power over Ethernet (PoE) support
- Standard RJ45 connectors
- Excellent image quality
- Camera parameter programmable in real-time

Notice

Further technical details are available in the respective data sheet.

Dimensions Camera with C-Mount



Conformity / Safety

Conformity



We declare, under our sole responsibility, that the described Baumer LXG cameras conform with the directives of the CE.



All LXG cameras comply with the recommendation of the European Union concerning RoHS Rules.



Several of the described Baumer LXG cameras conform with the directives of the Korean Conformity.

Please refer for the User's guide or technical documentation.

Safety Precautions

Notice

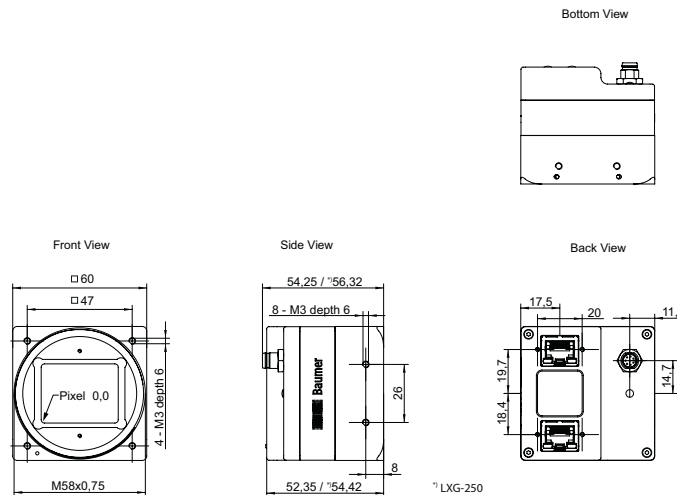
See the User's Guide for the complete safety instructions!

- Protect the sensor from dirt and moisture.
- Never open the camera housing.
- Avoid camera contamination by foreign objects.

Environmental requirements:

Storage temp.	-10 °C ... +70 °C
Operating temp.	+5 °C ... +50 °C
Housing temp.	max. +50 °C
Humidity	10 % ... 90 % Non-condensing

Dimensions Camera with M58-Mount



Lens Adapter for Cameras with M58-Mount

- Adapter M58 / F-Mount (Art. No.: 11117852)
- Adapter M58 / M42x1-Mount (26.8mm) (Art. No.: 11127232)
- Adapter M58 / M42x1-MOUNT (45.5 mm) (Art. No.: 11137781)

Notice

suitable for Zeiss (e.g. Distagon T* 2/25 Z-M42-I, Planar T* 1.4/50 Z-M42-I, Makro-Planar T* 2/50 Z-M42-I) and KOWA M42 lenses (e.g. LM28LF P-Mount, LM35LF P-Mount)

- Adapter M58 / C-Mount (Art. No: 11115198)

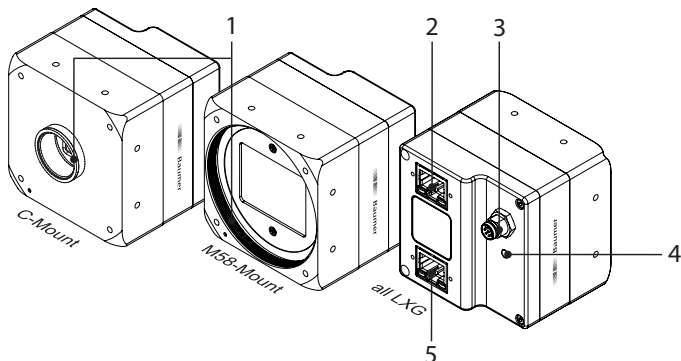
Further Information

For further information on our products visit www.baumer.com
For technical issues, please contact our technical support:
support.cameras@baumer.com · Phone +49 (0)3528 4386-0 · Fax +49 (0)3528 4386-86

© Baumer Optronic GmbH · Badstrasse 30 · DE-01454 Radeberg, Germany

Technical data has been fully checked, but accuracy of printed matter not guaranteed.
Subject to change without notice. Printed in Germany 02/18. v1.6

General Description



No.	Description	No.	Description
1	Lens Mount C-Mount M58-Mount (adapter for other lens mounts available)	4	Signaling-LED
2	Data Port 1 (PoE)	5	Data Port 2
3	Power Supply / Digital-IO		

Data Interfaces

Data / Control 1000 Base-T (Port 1) **Data / Control 1000 Base-T (Port 2)**
 wire colors of the connecting cable



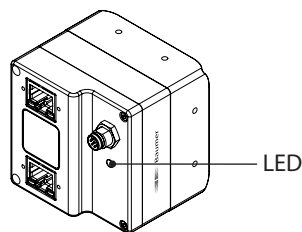
1	green/white	MX1+	1	green/white	MX1+
2	green	MX1-	2	green	MX1-
3	orange/white	MX2+	3	orange/white	MX2+
4	blue	MX3+	4	blue	MX3+
5	blue/white	MX3-	5	blue/white	MX3-
6	orange	MX2-	6	orange	MX2-
7	brown/white	MX4+	7	brown/white	MX4+
8	brown	MX4-	8	brown	MX4-

Notice

Data port 1 supports Power over Ethernet (36 VDC .. 57 VDC).

For the data transfer, the ports are equal. For Single GigE connect one port and for Dual GigE connect the second port additionally. The order does not matter.

LED Signaling



	Signal	Meaning
LED	green on	Power on, link good
	green blinking	Power on, no link
	red on	Error / Overtemperature
	red blinking	Warning (update in progress, don't switch off)
	yellow	Readout active

Power Supply and Process Interface

Power Supply / Digital-IO

M8 / 8 pins wire colors of the connecting cable



1	white	OUT 3
2	brown	Power VCC+
3	green	IN 1
4	yellow	IO GND
5	grey	IO Power VCC
6	pink	OUT 1
7	blue	Power GND
8	red	OUT 2

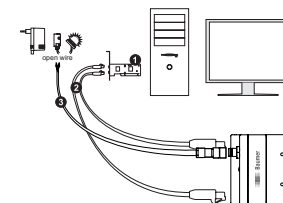
Power Supply

Power VCC	12 VDC ... 24 VDC
-----------	-------------------

Installation

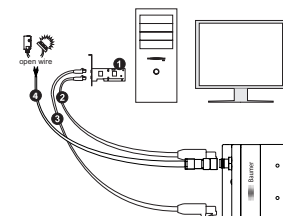
Installation sample without PoE

- 1 - network interface card
- 2 - network cable
- 3 - Process interface- / Power cable



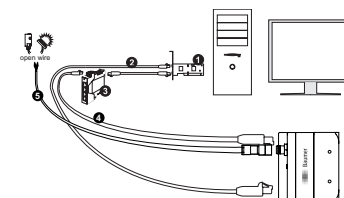
Installation sample with PoE via NIC

- 1 - PoE network interface card (NIC)
- 2 - network cable (PoE)
- 3 - network cable (without PoE)
- 4 - Process interface cable



Installation sample with PoE via Injector

- 1 - network interface card (NIC)
- 2 - network cable (without PoE)
- 3 - Injector
- 4 - network cable (with PoE)
- 5 - Process interface cable



Heat Transmission

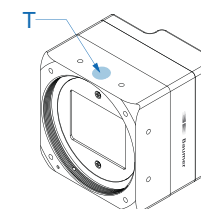
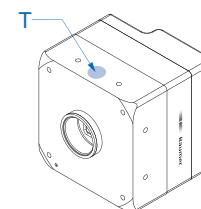
Caution

Provide adequate dissipation of heat, to ensure that the temperature does not exceed +50 °C (+122 °F). The surface of the camera may be hot during operation and immediately after use. Be careful when handling the camera and avoid contact over a longer period.



As there are numerous possibilities for installation, Baumer do not specify a specific method for proper heat dissipation, but suggest the following principles:

- operate the cameras only in mounted condition
- mounting in combination with forced convection may provide proper heat dissipation



Measure Point

Maximal Temperature

T	+50 °C (122 °F)
---	-----------------