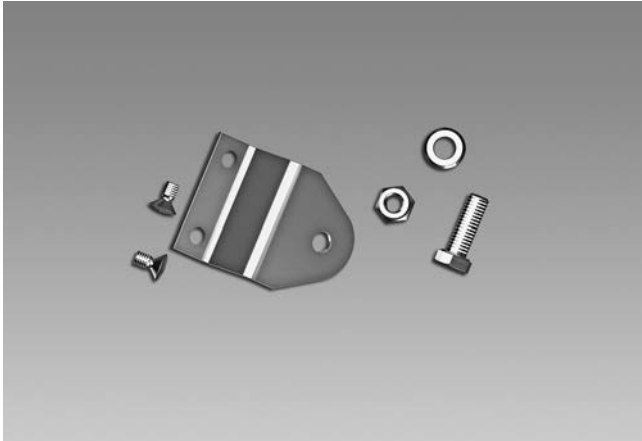


# Accessories

## Mounting accessories

### Support plate mounting kit R69



#### Description

Support plate mounting kit R69 to fix a torque arm size M6 at the encoder.

#### Part number

11082676 Support plate mounting kit R69 for torque arm size M6

#### Scope of delivery

1x support plate R69 mm  
2x raised countersunk-head screw M4x8, ISO 7047  
1x hexagon screw M6x18, ISO 4017 (A2)  
1x self-locking nut M6, ISO 10511 (A2)  
1x washer A6.4, ISO 7090

#### Suitable for

HOG 86, HOG 86 + DSL, HOG 86 + FSL, HOG 86 M

#### Dimensions

