



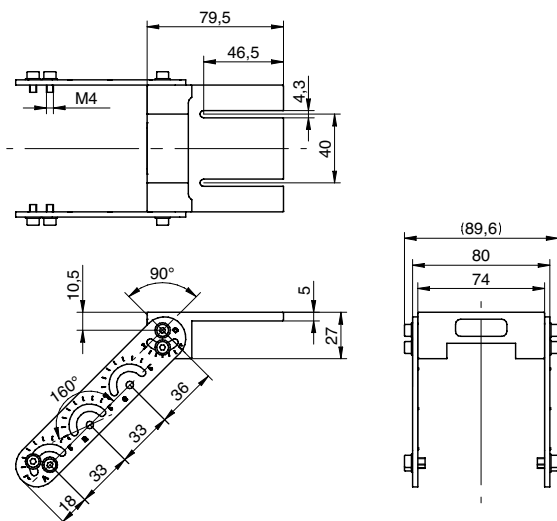
features

- VeriSens® illumination fix kit
- Scales for the documentation of the application setup, also for its replication
- Use in combination with illumination adapter (for LUMIMAX Spot5W: ZVI-Fix_Kit_Adapter_Spot5W (11175009))
- Length: 130 mm

mechanical data

weight	≤ 240 g
length	130 mm
material	aluminum (shot-peened, anodized)

dimension drawing



schematic diagram

