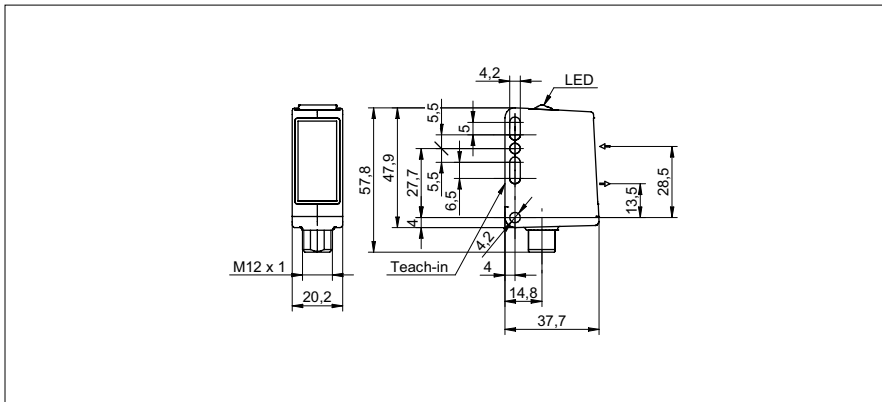


SmartReflect Light barriers

O500W.SP-11137003

dimension drawing



general data

type	light barrier
special type	Washdown design
version	standard object detection
light source	pulsed PinPoint LED
background position Sde	60 ... 800 mm
scanning range Sa	90% ... 80% Sde
power on indication	LED green
light indicator	LED yellow
sensing distance adjustment	Teach-in and IO-Link
wave length	630 nm
suppression of reciprocal influence	yes
alignment optical axis	< 1°
approvals/certificates	Ecolab

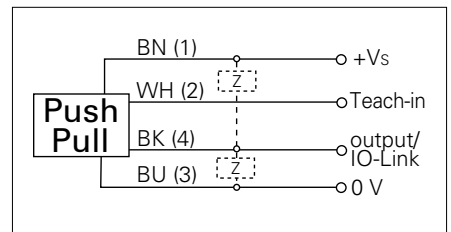
photo



electrical data

response time / release time	< 0,49 ms
voltage supply range +Vs	10 ... 30 VDC
current consumption max. (no load)	40 mA
current consumption typ.	30 mA
voltage drop Vd	< 3 VDC
output function	light / dark operate
output circuit	push-pull
output current	< 100 mA
short circuit protection	yes
reverse polarity protection	yes

connection diagram



mechanical data

width / diameter	20,2 mm
height / length	47,9 mm
depth	37,7 mm
type	rectangular
housing material	stainless steel 1.4404 (V4A)
front (optics)	PMMA
connection types	connector M12 4 pin



- magnetic Teach
- IO-Link: V1.1, filter functions, qTeach lock adjustable

SmartReflect Light barriers**O500W.SP-11137003****ambient conditions**

operating temperature	-25 ... +60 °C
protection class	IP 68/69K & proTect+