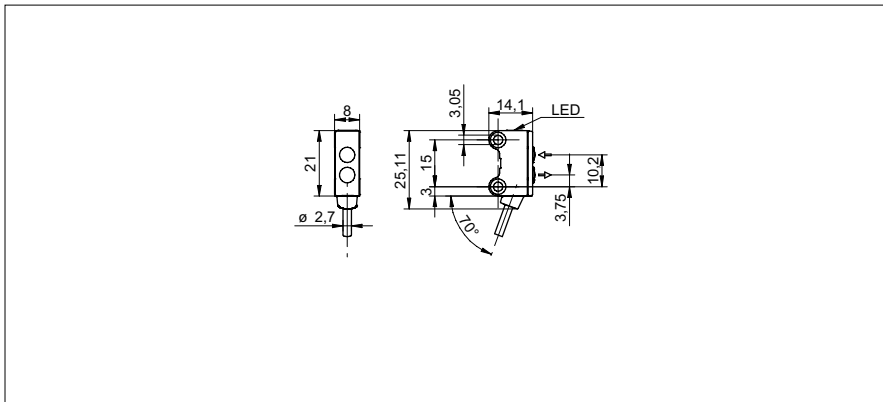


Diffuse sensors with background suppression

O200.GR-11210574

dimension drawing



general data

| | |
|-------------------------------------|-------------------------------------|
| type | background suppression |
| light source | pulsed red LED |
| sensing distance T_w | 15 ... 80 mm |
| sensing range T_b | 7 ... 80 mm |
| smallest object recognizable typ. | 0,25 mm at 40 mm |
| alignment / soiled lens indicator | flashing output indicator |
| power on indication | LED green |
| output indicator | LED yellow |
| sensing distance adjustment | external Teach-in / 1-Step Teach-in |
| wave length | 644 nm |
| suppression of reciprocal influence | yes |
| alignment optical axis | < 1,5° |

electrical data

| | |
|------------------------------------|------------------|
| response time / release time | < 1 ms |
| voltage supply range +Vs | 10 ... 30 VDC |
| current consumption max. (no load) | 20 mA (@ 30 VDC) |
| current consumption typ. | 16 mA (@ 24 VDC) |
| voltage drop V_d | < 2 VDC |
| output function | dark operate |
| output circuit | push-pull |
| output current | < 50 mA |
| short circuit protection | yes |
| reverse polarity protection | yes |

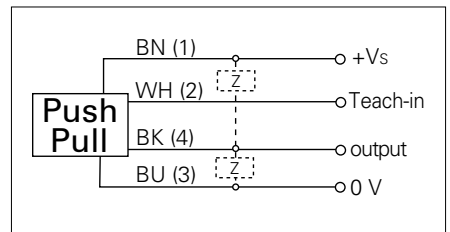
mechanical data

| | |
|-----------------------|------------------------------------|
| width / diameter | 8 mm |
| height / length | 25,1 mm |
| depth | 14,1 mm |
| type | rectangular |
| mechanical mounting | sleeve smooth (stainless steel) |
| housing material | plastic (ASA, PMMA) |
| front (optics) | PMMA |
| connection types | cable 4 pin, 2 m |
| cable characteristics | PVC / PVC 4 x 0,08 mm ² |

photo



connection diagram



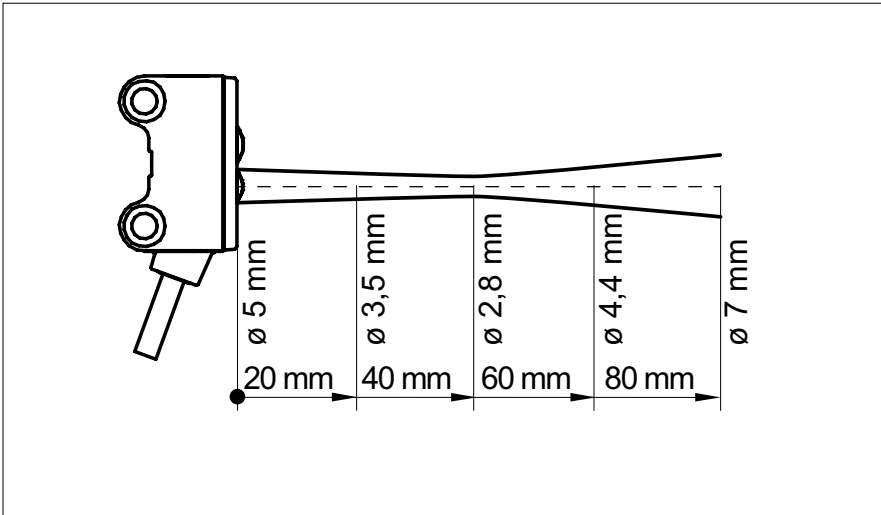
Diffuse sensors with background suppression

O200.GR-11210574

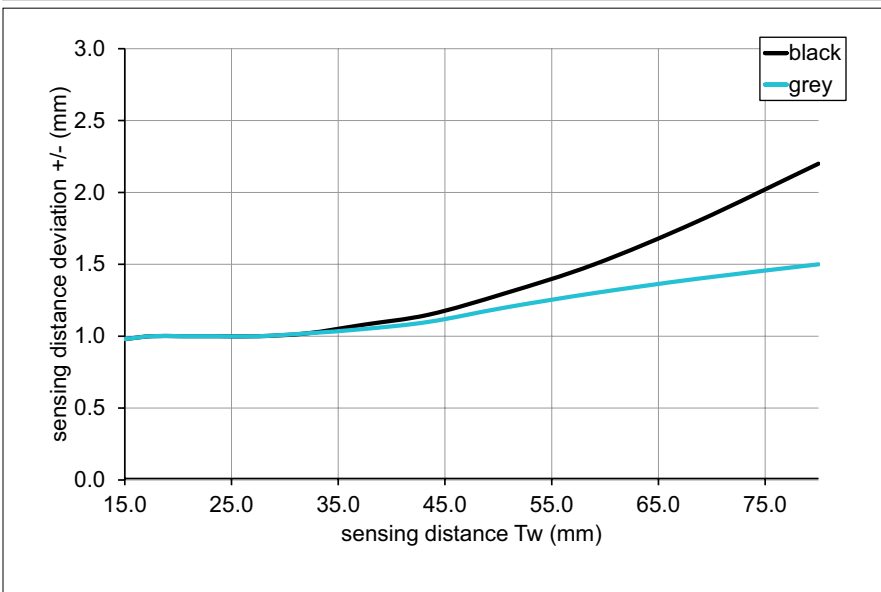
ambient conditions

| | |
|-----------------------|----------------|
| operating temperature | -25 ... +50 °C |
| protection class | IP 67 |

beam characteristic (typically)



sensing distance diagram



Diffuse sensors with background suppression

O200.GR-11210574

hysteresis curve

