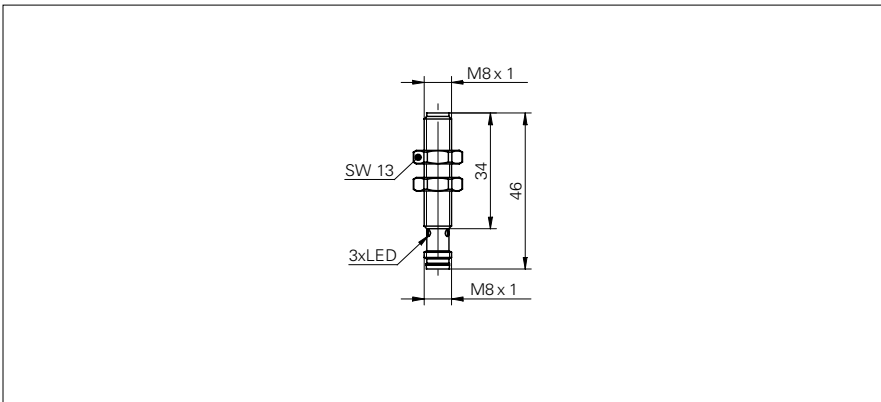


**Inductive sensors special versions**

**IFRD 08N37A1/S35L**

**dimension drawing**



**general data**

|                                |                               |
|--------------------------------|-------------------------------|
| mounting type                  | quasi-flush                   |
| special type                   | full metal housing (DuroProx) |
| nominal sensing distance $S_n$ | 2 mm                          |
| hysteresis                     | 2 ... 20 % of $S_r$           |
| output indicator               | 3 port LED red                |

**electrical data**

|                                    |                         |
|------------------------------------|-------------------------|
| switching frequency                | < 150 Hz                |
| voltage supply range +Vs           | 10 ... 30 VDC           |
| current consumption max. (no load) | 20 mA                   |
| output circuit                     | NPN break function (NC) |
| voltage drop $V_d$                 | < 2 VDC                 |
| output current                     | < 200 mA                |
| short circuit protection           | yes                     |
| reverse polarity protection        | yes                     |

**mechanical data**

|                           |                              |
|---------------------------|------------------------------|
| type                      | cylindrical threaded         |
| material (sensing face)   | stainless steel 1.4404 (V4A) |
| housing material          | stainless steel 1.4404 (V4A) |
| operating pressure static | < 20 bar                     |
| dimension                 | 8 mm                         |
| housing length            | 46 mm                        |
| connection types          | connector M8                 |

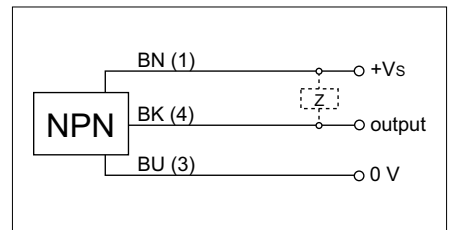
**ambient conditions**

|                       |                                |
|-----------------------|--------------------------------|
| operating temperature | -25 ... +75 °C                 |
| protection class      | IP 68/67 (sensing face/sensor) |

**photo**



**connection diagram**



- Higher noise immunity (EMC), (EN 61000-6-2)