

## DLM40-IN

Compact inline load cells for industrial applications

DLM40-IN.###.TP3.C4

### Overview

- Tension and compression load till 20 kN
- Non-linearity < 0.2 %
- One-sided stop with integrated hexagon for easy mounting
- Sensor body made of stainless steel with protection class IP68
- Fully welded sensor design
- Durable with 100% working stroke



### Technical data

#### general data

Nominal force	2 ... 20 kN
Non-linearity	< 0.2 %
Repeatability	< 0.1 %
Temperature effect zero	< 0.2 % / 10K
Zero point deviation	< 20 %
Type	Inline
Mechanical mounting	M12 thread / M12 thread

#### electrical data

Nominal sensitivity	1 mV/V
Bridge resistance	1000 Ω
Supply voltage	0.5 ... 12 VDC
Signal polarity positive	Tension

#### mechanical data

Overload	150 %
Breaking load	200 %

#### mechanical data

Nominal displacement	40 μm
Weight	230 g
Material sensor body	Stainless steel, 1.4542
Fatigue strength	>10 Mio cycles at 0...100% FS
Electrical connection	M8, 4 pin, male

#### environmental conditions

Operating temperature range	-40 ... 85 °C
Storage temperature range	-40 ... 85 °C
Protection class EN 60529, ISO20653	IP 68

#### compliance and approvals

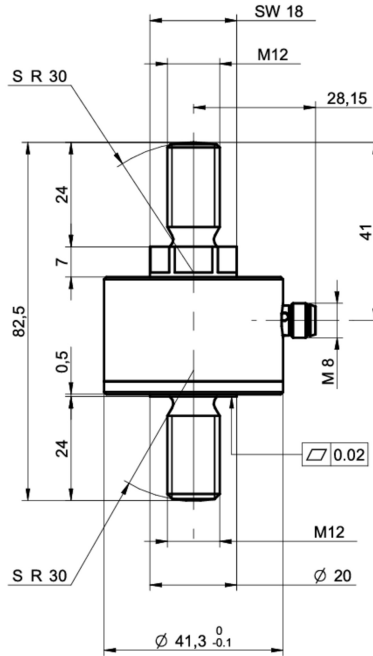
EMC	EN 61000-6-2 EN 61000-6-3 EN 61326-2-3
UL listed	E217824

# DLM40-IN

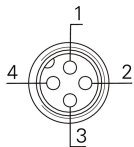
Compact inline load cells for industrial applications

DLM40-IN.###.TP3.C4

## Dimensional drawings



## Electrical connection



- 1 +Vs
- 2 Sig +
- 3 -Vs
- 4 Sig -

## Ordering key - Configuration possibilities see website

	DLM	40	-	IN	.	###	.	T	P3	.	C4
<b>Product group</b>	Membrane force sensor										
	DLM										
<b>Size category</b>	40										
		40									
<b>Type</b>	Inline										
				IN							
<b>Nominal force</b>	2 kN										
											202
	5 kN										
											502
	10 kN										
											103
	20 kN										
											203
<b>Measuring direction positive</b>	Tension										
											T
<b>Output signal</b>	Nominal sensitivity 1.00 mV/V										
											P3
<b>Electrical connection</b>	M8, 4 pin, male										
											C4