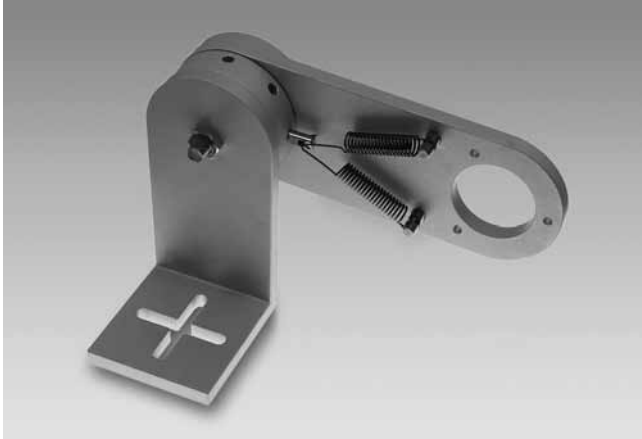


# Accessories

## Mounting accessories

### Spring encoder arm



#### Features

- Tether arm for stable, versatile mounting options. Ideal for use of encoders with measuring wheel. Contact force max. 40 N (adjustable), the force is present in any position.

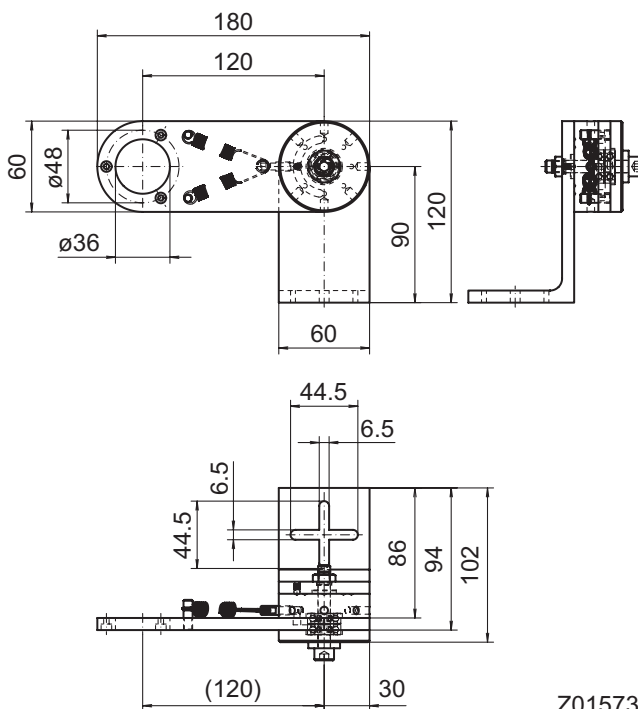
#### Part number

11101893 Tether arm

#### Suitable for

EIL580 - clamping flange, EIL580P - clamping flange

#### Dimensions



Z01573