



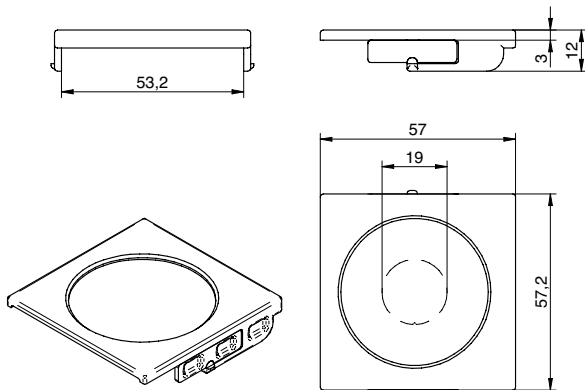
features

- Attachable polarization filter for VeriSens® ID, CS and XF series
- Only to use with white illumination. Please note that only about 20% of the light reaches the image sensor when a polarization filter is used.

mechanical data

dimensions	57 mm × 57,5 mm × 12 mm
weight	≤ 5 g
material	PA

dimension drawing



schematic diagram

