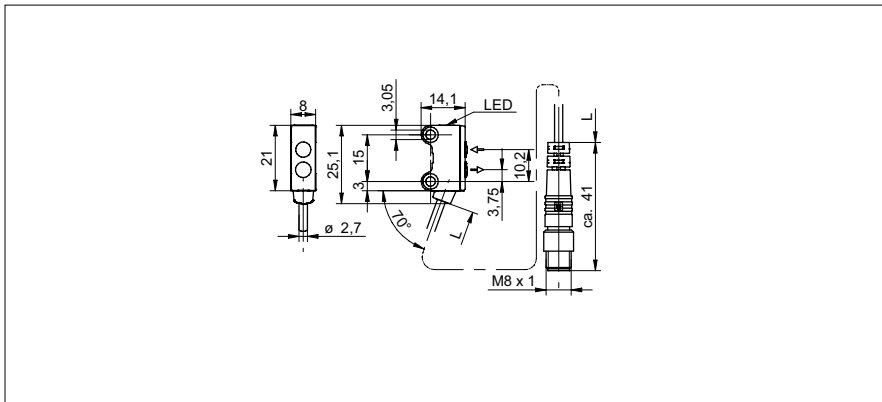


# Diffuse sensors with background suppression

**O200.GR-11210939**

**dimension drawing**



**general data**

type	background suppression
light source	pulsed red LED
sensing distance $T_w$	15 ... 80 mm
sensing range $T_b$	7 ... 80 mm
smallest object recognizable typ.	0,25 mm at 40 mm
alignment / soiled lens indicator	flashing output indicator
power on indication	LED green
output indicator	LED yellow
sensing distance adjustment	external Teach-in / 1-Step Teach-in
wave length	644 nm
suppression of reciprocal influence	yes
alignment optical axis	< 1,5°

**electrical data**

response time / release time	< 1 ms
voltage supply range +Vs	10 ... 30 VDC
current consumption max. (no load)	20 mA (@ 30 VDC)
current consumption typ.	16 mA (@ 24 VDC)
voltage drop $V_d$	< 2 VDC
output function	dark operate
output circuit	push-pull
output current	< 50 mA
short circuit protection	yes
reverse polarity protection	yes

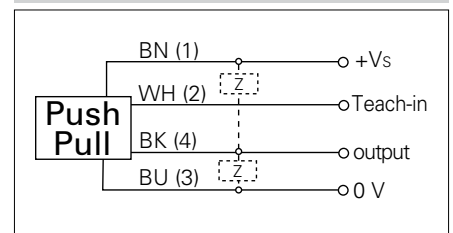
**mechanical data**

width / diameter	8 mm
height / length	25,1 mm
depth	14,1 mm
type	rectangular
mechanical mounting	sleeve smooth (stainless steel)
housing material	plastic (ASA, PMMA)
front (optics)	PMMA
connection types	flylead connector M8 4 pin, L=200 mm
cable characteristics	PVC / PVC 4 x 0,08 mm <sup>2</sup>

**photo**



**connection diagram**



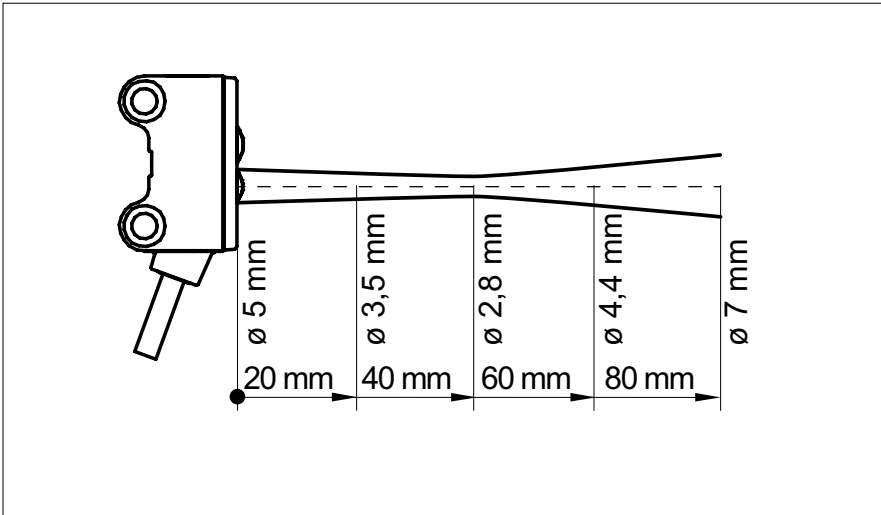
# Diffuse sensors with background suppression

**O200.GR-11210939**

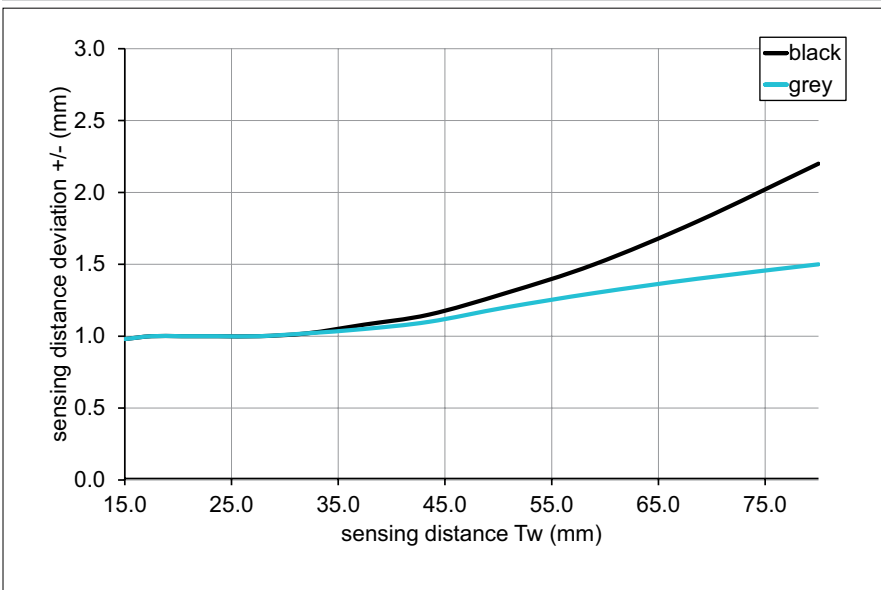
**ambient conditions**

operating temperature	-25 ... +50 °C
protection class	IP 67

**beam characteristic (typically)**



**sensing distance diagram**



### Diffuse sensors with background suppression

### O200.GR-11210939

hysteresis curve

