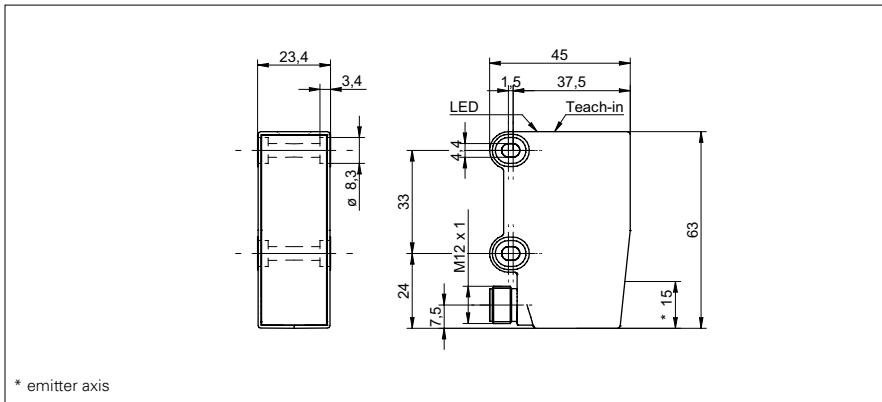


Distance sensors

OADK 25U7480/S14C

dimension drawing



* emitter axis

general data

measuring distance Sd	100 ... 1000 mm
adjustment	Teach-in
Teach-in range min.	> 50 mm
power on indication	LED green
soiled lens indicator	LED red
resolution	0,3 ... 4 mm
linearity error	± 1,1 ... ± 15 mm
light source	pulsed red laser diode
wave length	656 nm
laser class	1
beam type	point
beam diameter	3,7 ... 13 mm
interference suppression	< 32 ms

electrical data

response time / release time	< 12,8 ms
voltage supply range +Vs	12 ... 30 VDC
current consumption max. (no load)	80 mA
output circuit	analog
output signal	0 ... 10 VDC
load resistance (analog U)	> 100 kOhm
output current	< 100 mA
alarm output	push-pull
short circuit protection	yes
reverse polarity protection	yes, Vs to GND

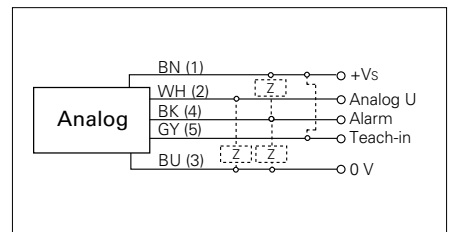
mechanical data

width / diameter	23,4 mm
height / length	63 mm
depth	45 mm
type	rectangular
housing material	plastic (SAN LURAN 378P)
front (optics)	PMMA
connection types	connector M12 5 pin

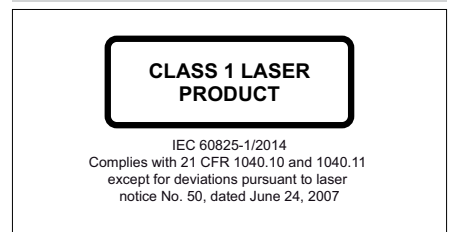
photo



connection diagram



laser warning



• qTeach

Distance sensors**OADK 25U7480/S14C****ambient conditions**

ambient light immunity	< 20 kLux
operating temperature	0 ... +50 °C
protection class	IP 67